

June 17, 2020

Mr. David Price
NHDES Wetlands Bureau,
Pease Office
222 International Dr., Suite. 175
Portsmouth, NH 03801

**Re: Seacoast Reliability Project - SEC Docket 2015-04
Updated Submarine Cable As-Built Plan Transmittal
Terrestrial Cable Depth Correction
Station 455+60 to 457+00**

Dear Mr. Price:

Eversource is providing the attached updated as-built submarine cable plan and profile engineering drawings pursuant to New Hampshire Department of Environmental Services (NHDES) Permit Condition 55 in the New Hampshire Site Evaluation Committee (NHSEC) Order and Certificate of Site and Facility issued to Eversource Energy on January 31, 2010 (SEC Docket. 2015-04).

The submarine portion of the as-built plan that was transmitted to the Department on June 9, 2020 is correct, however, based on our investigations of flowable fill in the Gundalow Landing Area in Newington, it was observed that the ground elevation shown on the terrestrial portion of the as-built plan was based on a previous alignment and that the actual ground elevation is lower, with the top of duct bank being at approximately 30 inches below grade between Station 455 + 60 and 457+00.

If you have any questions regarding this submittal, please contact me (kurt.nelson@eversource.com, 603-634-3256) or Sarah Allen (sallen@normandeau.com, 603-637-1158).

Sincerely,

Eversource Energy



Kurt I. Nelson
Sr. Licensing and Permitting Specialist

Cc: Pamela Monroe, Administrator, NHSEC
Lindsey Lefebvre, Project Manager, ACOE

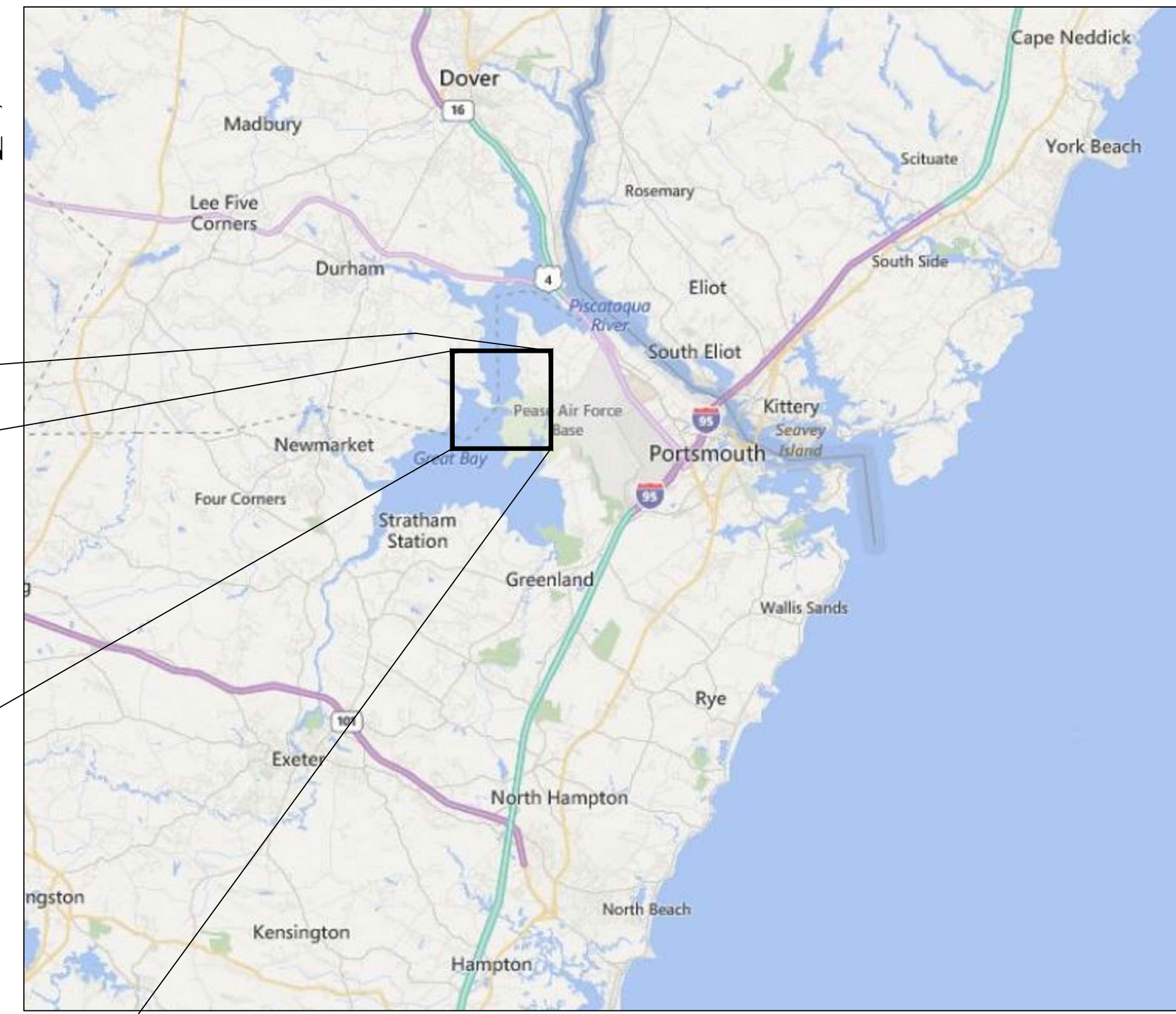
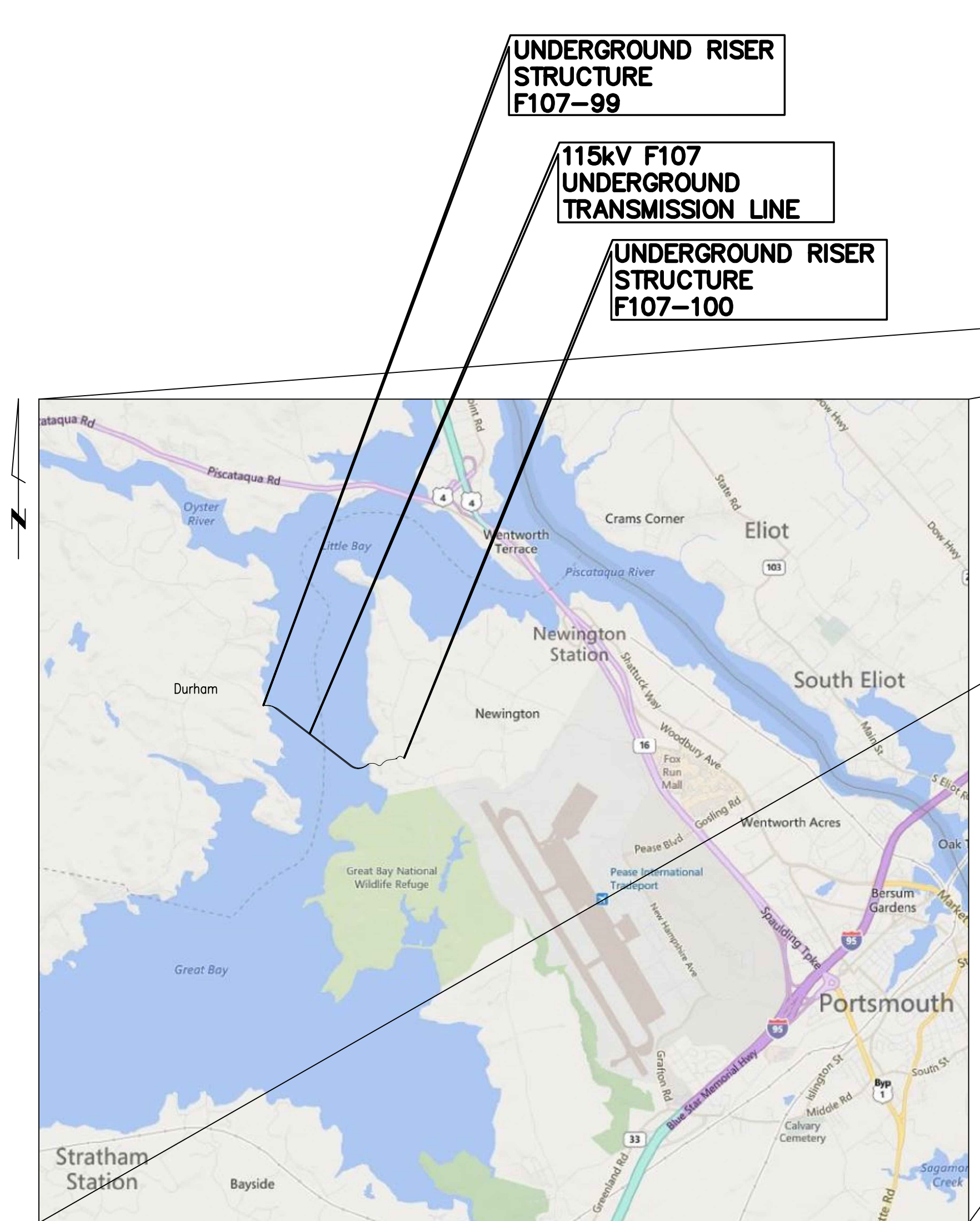
PUBLIC SERVICE COMPANY OF NEW HAMPSHIRE DBA EVERSOURCE ENERGY SEACOAST RELIABILITY PROJECT, CIRCUIT F107 LITTLE BAY CROSSING, NEWINGTON AND DURHAM 115kV UNDERGROUND TRANSMISSION LINE

ES VER. 11/2015
6/11/2020 9:41 AM - pmogoon - Z:\Projects\133007\DD\DWG\09 Final CADD Files\EVERSOURCE\As-Built\Little Bay (F10743003)\REV. 4\F10743003.dwg - COVER

DRAWING MANIFEST	
DRAWING NO.	TITLE/DESCRIPTION
SHEET 1 OF 25	COVER SHEET, LEGEND, AND DRAWING MANIFEST
SHEET 2 OF 25	PHASE 1 PLAN AND PROFILE DRAWING STA. 393+00 TO STA. 403+00
SHEET 3 OF 25	PHASE 2 PLAN AND PROFILE DRAWING STA. 393+00 TO STA. 403+00
SHEET 4 OF 25	PHASE 3 PLAN AND PROFILE DRAWING STA. 393+00 TO STA. 403+00
SHEET 5 OF 25	PHASE 1 PLAN AND PROFILE DRAWING STA. 403+00 TO STA. 413+00
SHEET 6 OF 25	PHASE 2 PLAN AND PROFILE DRAWING STA. 403+00 TO STA. 413+00
SHEET 7 OF 25	PHASE 3 PLAN AND PROFILE DRAWING STA. 403+00 TO STA. 413+00
SHEET 8 OF 25	PHASE 1 PLAN AND PROFILE DRAWING STA. 413+00 TO STA. 423+00
SHEET 9 OF 25	PHASE 2 PLAN AND PROFILE DRAWING STA. 413+00 TO STA. 423+00
SHEET 10 OF 25	PHASE 3 PLAN AND PROFILE DRAWING STA. 413+00 TO STA. 423+00
SHEET 11 OF 25	PHASE 1 PLAN AND PROFILE DRAWING STA. 423+00 TO STA. 433+00
SHEET 12 OF 25	PHASE 2 PLAN AND PROFILE DRAWING STA. 423+00 TO STA. 433+00
SHEET 13 OF 25	PHASE 3 PLAN AND PROFILE DRAWING STA. 423+00 TO STA. 433+00
SHEET 14 OF 25	PHASE 1 PLAN AND PROFILE DRAWING STA. 433+00 TO STA. 443+00
SHEET 15 OF 25	PHASE 2 PLAN AND PROFILE DRAWING STA. 433+00 TO STA. 443+00
SHEET 16 OF 25	PHASE 3 PLAN AND PROFILE DRAWING STA. 433+00 TO STA. 443+00
SHEET 17 OF 25	PHASE 1 PLAN AND PROFILE DRAWING STA. 443+00 TO STA. 453+00
SHEET 18 OF 25	PHASE 2 PLAN AND PROFILE DRAWING STA. 443+00 TO STA. 453+00
SHEET 19 OF 25	PHASE 3 PLAN AND PROFILE DRAWING STA. 443+00 TO STA. 453+00
SHEET 20 OF 25	PLAN AND PROFILE DRAWING STA. 453+00 TO STA. 463+00
SHEET 21 OF 25	PLAN AND PROFILE DRAWING STA. 463+00 TO STA. 470+00
SHEET 22 OF 25	TRENCH AND JET PLOW DETAILS
SHEET 23 OF 25	SPLICE VAULT DETAILS
SHEET 24 OF 25	SPLICE VAULT DETAILS
SHEET 25 OF 25	SPLICE VAULT MISCELLANEOUS DETAILS

LEGEND

	ELECTRICAL STRUCTURE
	LAMP POST
	WOODEN POST
	IRRIGATION CONTROL VALVE
	ELECTRIC BOX
	TELECOMMUNICATION BOX
	UTILITY BOX
	CATCH BASIN
	CONIFEROUS TREE
	DECIDUOUS TREE
	CONCRETE
	RIP RAP
	LANDSCAPED AREA
	CRUSHED STONE
	SURFACE LEDGE
	TYPICAL
	RETAINING
	EDGE OF PAVEMENT
	CONC.
	TREE LINE
	SHRUB LINE
	PROPERTY LINES
	DRAIN LINE
	OVERHEAD ELECTRIC
	UNDERGROUND ELECTRIC
	WATER LINE
	TELEPHONE LINE
	SEWER
	STEAM LINE
	PROPOSED DRAIN
	EASEMENT
	STONE WALL



THREE BUSINESS DAYS BEFORE YOU DIG CALL
NEW HAMPSHIRE DIG SAFE SYSTEM, INC.
TOLL FREE
1-888-344-7233

**Know what's below.
Call before you dig.**

General Notes

1. THE PLANIMETRICS, UTILITIES AND NATURAL FEATURES SHOWN HEREON ARE BASED ON FIELD SURVEYS, AERIAL PHOTOGRAPHY AND RECORD DOCUMENTS. EXISTING CONDITIONS BY SURVEY BY DOUCET. OTHER FACILITIES MAY NOT BE DISCOVERED THROUGH THE RECORD CHECK AND OTHER UTILITY LOCATING ACTIVITIES. THE CONTRACTOR SHALL VERIFY THE EXACT LOCATION, BOTH HORIZONTAL AND VERTICAL, OF ALL UTILITIES THROUGH THE APPROPRIATE UTILITY COMPANIES. CALL BEFORE YOU DIG, 811 OR 1-800-344-7233.
2. LOCATIONS OF UTILITIES SHOWN BASED ON AS-BUILT SURVEY PROVIDED BY MCCOURT CONSTRUCTION AND DUROCHER MARINE.
3. VERTICAL DATUM IS BASED ON NAVD83, HORIZONTAL DATUM IS BASED ON NEW HAMPSHIRE STATE PLANE IN US FEET, NAD83
4. VERTICAL LOCATION OF SUBSURFACE UTILITY LINES ARE BASED ON ASSUMED DEPTHS USING BEST AVAILABLE INFORMATION AND MAY VARY FROM THE ACTUAL VERTICAL LOCATIONS. BUILDING SERVICE CONNECTIONS (ELECTRIC, GAS, TELEPHONE, WATER AND SANITARY) ARE NOT SHOWN. CONTRACTOR IS TO ASSUME SERVICES ARE PRESENT TO ALL BUILDINGS.
5. DETAIL DESIGN MAY BE OPTIMIZED TO REFLECT ACTUAL CONDITIONS WITH OWNER REVIEW AND ACCEPTANCE.
6. ALL WORK SHALL BE PERFORMED WITHIN THE DESIGNATED PROPERTIES AS NOTED ON THE DRAWINGS.
7. ALL AREAS DISTURBED BY CONSTRUCTION SHALL BE RETURNED TO THEIR ORIGINAL CONDITION OR BETTER AS DETERMINED BY OWNER AND IN ACCORDANCE WITH THE PROJECT SPECIFICATIONS, AND THE APPLICABLE FEDERAL, STATE AND LOCAL REQUIREMENTS.
8. CIVIL CONTRACTOR SHALL HAUL AWAY ALL UNUSED EXCAVATED MATERIAL TO PERMITTED SOIL DISPOSAL SITE PROJECT SPECIFICATIONS, AND THE APPLICABLE FEDERAL, STATE AND LOCAL REQUIREMENTS.
9. CIVIL CONTRACTOR SHALL BE RESPONSIBLE FOR REPAIRING ANY & ALL UTILITIES AND FACILITIES (INCLUDING THOSE NOT SHOWN ON THE DRAWINGS) DAMAGED DURING CONSTRUCTION IN ACCORDANCE WITH THE PROJECT SPECIFICATIONS, APPLICABLE UTILITY SPECIFICATION, FEDERAL, STATE AND LOCAL REQUIREMENTS.
10. ABANDONED UTILITIES SHALL BE CUT AND CAPPED AS NECESSARY WITH UTILITY OWNER REVIEW AND ACCEPTANCE. ABANDONED GAS LINES SHALL NOT BE CUT.
11. CIVIL CONTRACTOR SHALL BE RESPONSIBLE FOR IMPLEMENTING BEST MANAGEMENT PRACTICES FOR CONTROLLING EROSION AND SEDIMENTATION IN ACCORDANCE WITH THE PROJECT SPECIFICATIONS, THE APPLICABLE FEDERAL, STATE AND LOCAL REQUIREMENTS.
12. CIVIL CONTRACTOR SHALL RESTORE GRADE TO PRE-CONSTRUCTION ELEVATIONS UNLESS OTHERWISE NOTED ON THE DRAWINGS.
13. PROPOSED DUCT BANK SHALL MAINTAIN A MINIMUM CLEARANCE OF 2'-6" BETWEEN THE CONCRETE ENCASUREMENT AND GRADE, OR AS SHOWN ON THE DRAWINGS.
14. ALL VERTICAL RADII ARE 500' AND ALL HORIZONTAL RADII ARE 500' UNLESS OTHERWISE NOTED ON THE DRAWINGS.
15. PROPOSED DUCT BANK SHALL MAINTAIN MINIMUM HORIZONTAL CLEARANCE OF 24" PER UTRM 077 AND A MINIMUM VERTICAL CLEARANCE OF 24" PER UTRM 077 TO EXISTING UTILITIES, UNLESS OTHERWISE NOTED ON THE DRAWINGS. CONTRACTOR SHALL NOTIFY OWNER OF ALL UNDOCUMENTED UTILITIES DISCOVERED DURING CONSTRUCTION THAT IMPEDE ON THE REQUIRED CLEARANCES TO THE PROPOSED DUCT BANK.
16. PRINTED COPIES ARE NOT DOCUMENT CONTROLLED. CONTRACTOR IS RESPONSIBLE FOR ENSURING PRINTED COPIES ARE THE LATEST REVISION.
17. ALL CONSTRUCTION SHALL BE IN ACCORDANCE WITH PROJECT SPECIFICATIONS AND APPLICABLE EVERSOURCE UTRM REQUIREMENTS.
18. CONSTRUCTION SHALL BE IN ACCORDANCE WITH MEMORANDUM OF UNDERSTANDINGS BETWEEN EVERSOURCE AND TOWN OF DURHAM AND NEWINGTON.
19. SEE DRAWINGS F10743001 AND F10705026 FOR CONNECTION DETAILS BETWEEN THE OVERHEAD AND UNDERGROUND LINES. SEE DRAWING F10713401 FOR PHASING OF F107 LINE.
20. SEE ENVIRONMENTAL CONSTRUCTION MAPS AND DETAILS FOR ENVIRONMENTAL CONTROL AND ACCESS.
21. ALL CONSTRUCTION SHOULD BE IN ACCORDANCE WITH NH EVALUATION COMMITTEE REQUIREMENTS AND CONDITIONS.

PSNH (PUBLIC SERVICE COMPANY OF NEW HAMPSHIRE)
DESIGN ENGINEER: JOSEPH SPERRY
PROJECT ENGINEER: TODD GOYETTE

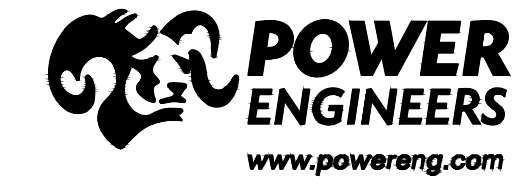
PSNH (PUBLIC SERVICE COMPANY OF NEW HAMPSHIRE)
WORK ORDER NUMBER: T1276A1
EPN-8466
PROJECT NUMBER: 133007

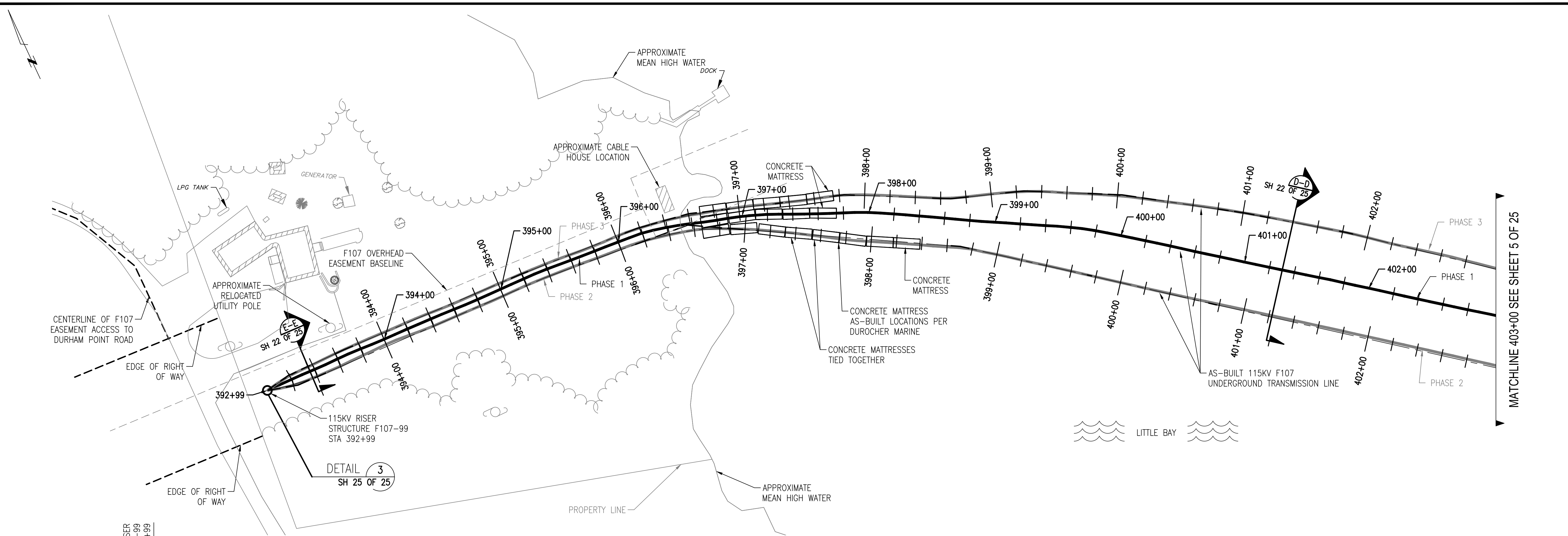
PRINT DRAWING TO SCALE ON 22"x34" SHEET

NO.	REVISION	DATE	BY	CHKD	APPRV.
1	ISSUE FOR CONSTRUCTION	05-11-19	REO	TSG	
2	REVISED DRAWING	05-29-19	REO	TSG	
3	REVISED DRAWING	05-29-19	REO	TSG	
4	ISSUE FOR RECORD	05-11-20	PCW	REO	TSG

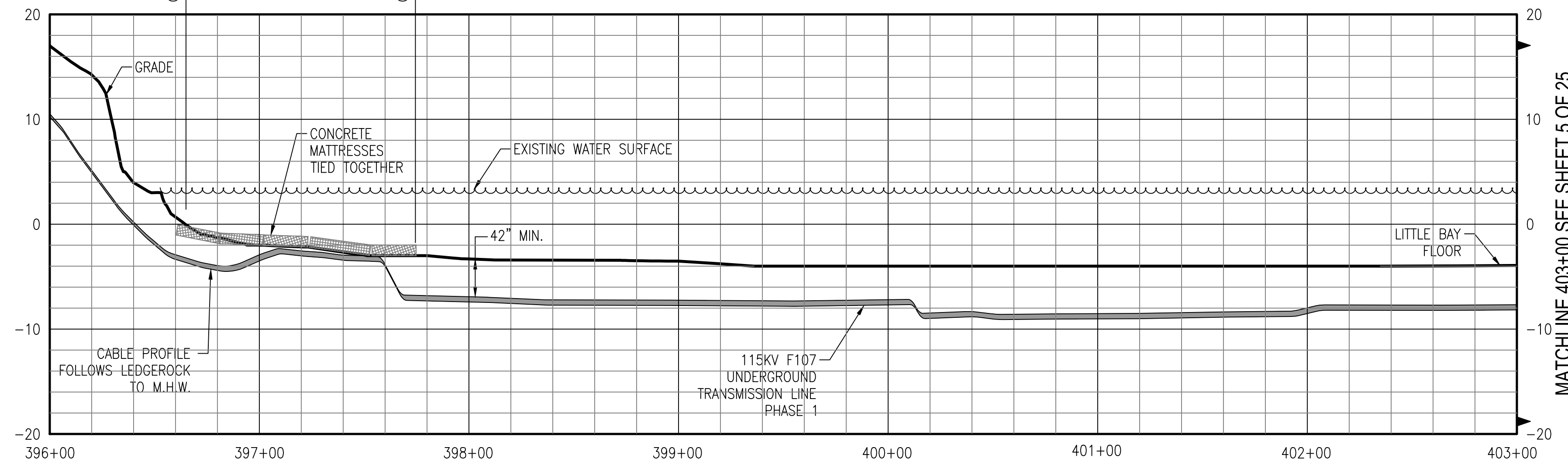
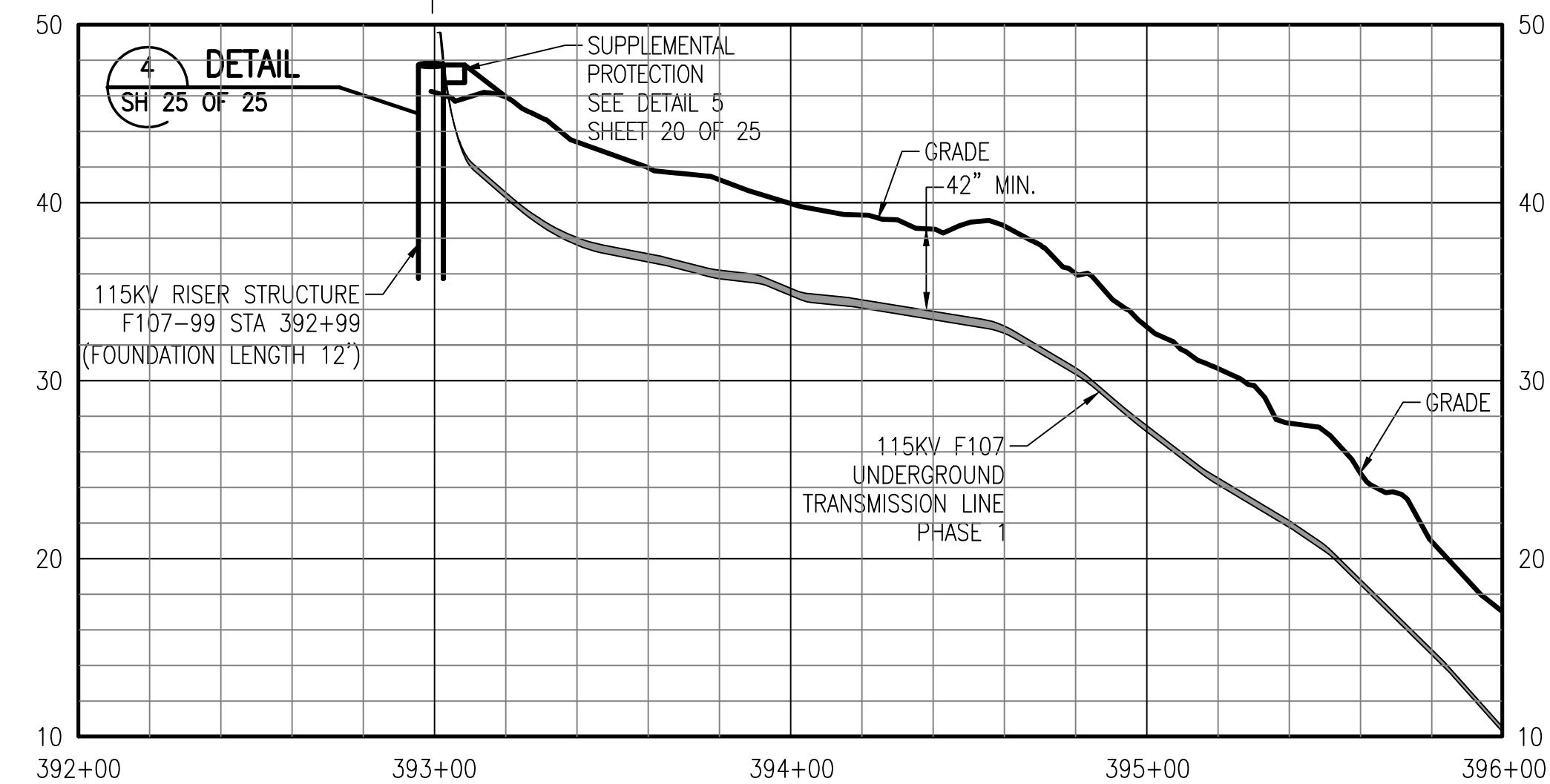
EVERSOURCE ENERGY

T 4
 DATE: 5/7/2019
 TRANSMISSION LINE:
 LITTLE BAY CROSSING
 MILE NO: 8 & 9
 DISCIPLINE/SHT NO.
 SHEET 1 OF 25
 F10743003





MATCHLINE 403+00 SEE SHEET 5 OF 25



MATCHLINE 403+00 SEE SHEET 5 OF 25

NO.	REVISION	DATE	BY	CHKD	APPR.
1	ISSUE FOR CONSTRUCTION	04/11/19
2	REVISED	05/23/19
3	REVISED	06/11/20
4	ISSUE FOR RECORD	06/11/20

EVERSOURCE
ENERGY

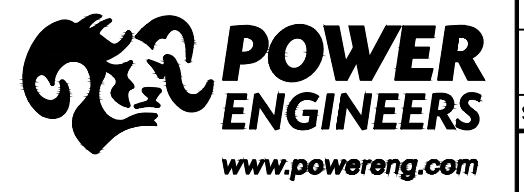
CIRCUIT F107 115KV UNDERGROUND TRANSMISSION LINE
PLAN AND PROFILE VIEW
DATE: 3/7/2019
SCALE: H: 1"=40', V: 1"=8'

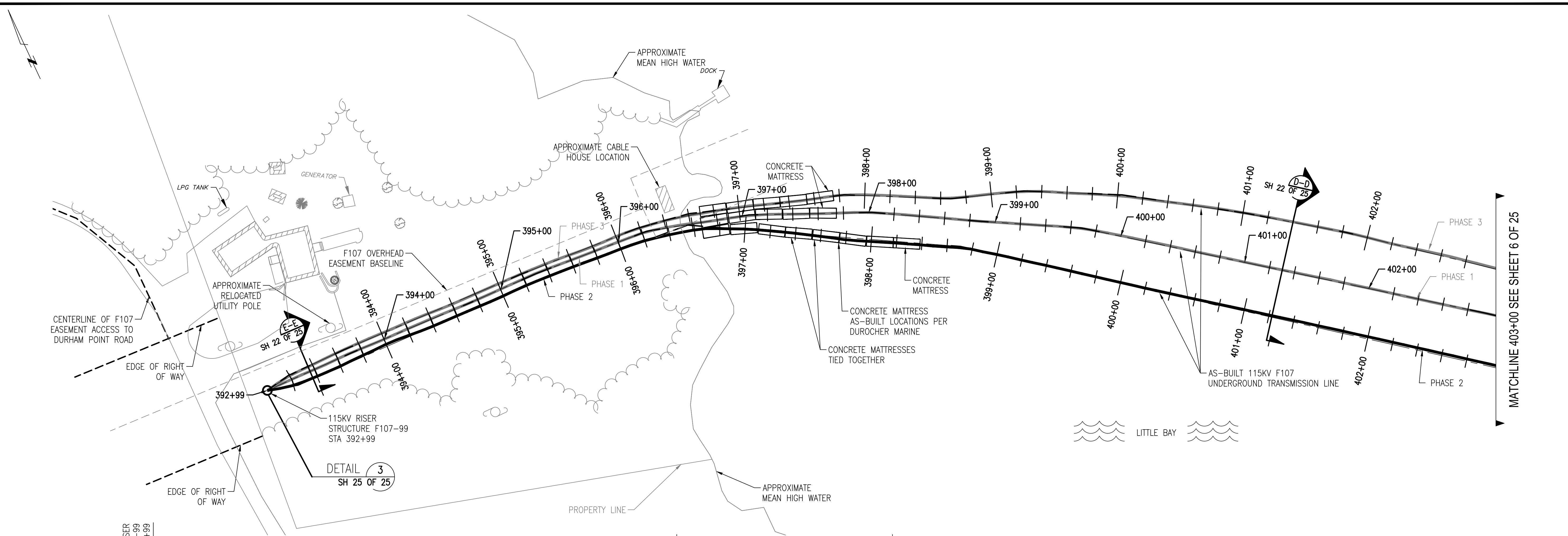
811
Know what's below.
Call before you dig.

THREE BUSINESS DAYS BEFORE YOU DIG CALL
NEW HAMPSHIRE DIG SAFE SYSTEM, INC.
TOLL FREE
1-888-344-7233



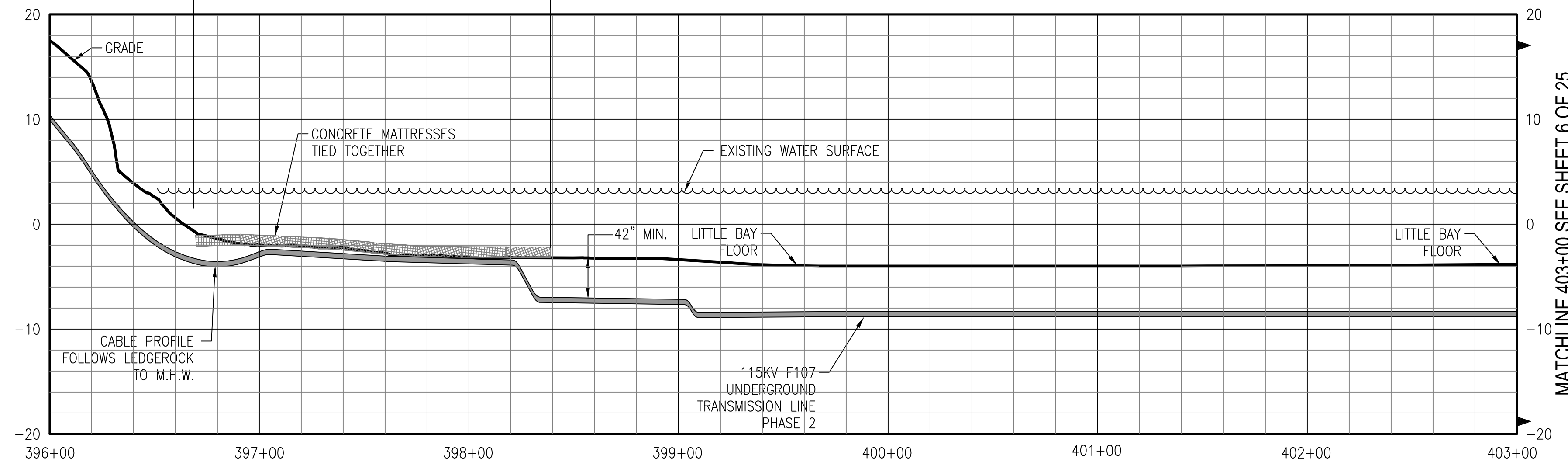
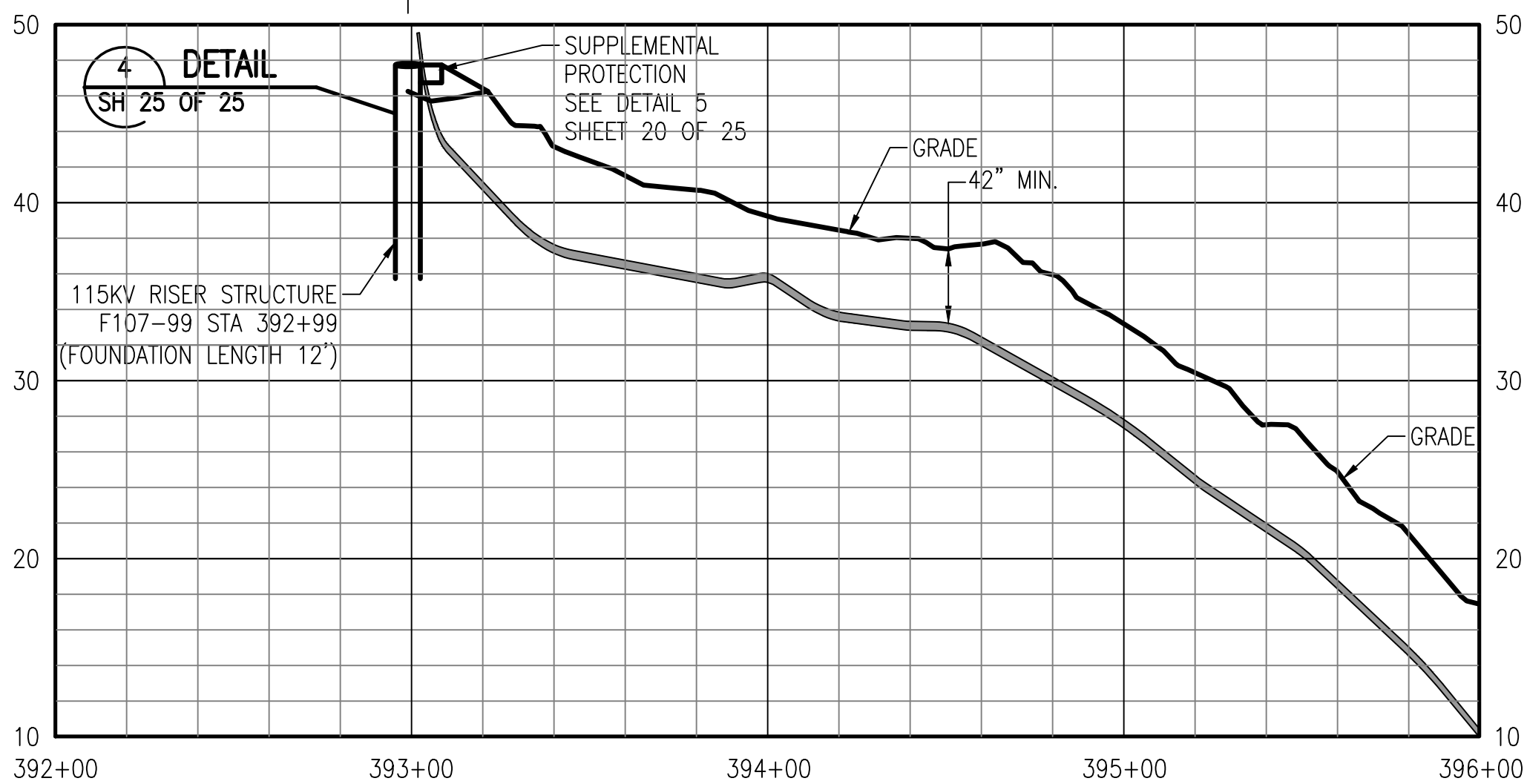
PRINT DRAWING TO SCALE ON 22"x34" SHEET



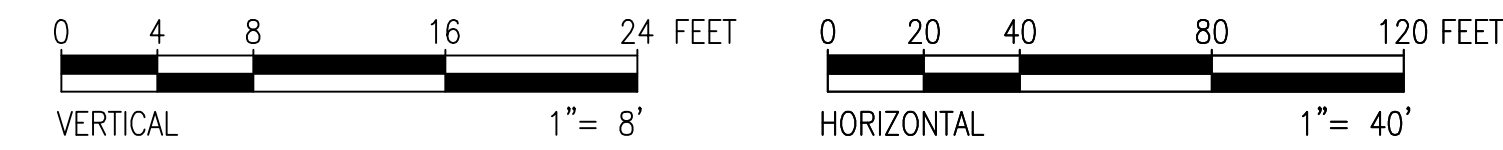


MATCHLINE 403+00 SEE SHEET 6 OF 25

DETAIL 3
SH 25 OF 25



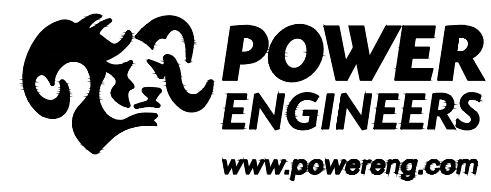
MATCHLINE 403+00 SEE SHEET 6 OF 25



PRINT DRAWING TO SCALE ON 22"x34" SHEET

811
Know what's below.
Call before you dig.

THREE BUSINESS DAYS BEFORE YOU DIG CALL
NEW HAMPSHIRE DIG SAFE SYSTEM, INC.
TOLL FREE
1-888-344-7233



NO.	REVISION	DATE	BY	CHKD	APPR.
1	ISSUE FOR CONSTRUCTION	05/11/19	TSJ	TSJ	TSJ
2	REVISED PER AGENCY COMMENTS	05/23/19	TSJ	TSJ	TSJ
3	REVISED PER AGENCY COMMENTS	06/11/19	TSJ	TSJ	TSJ
4	ISSUE FOR RECORD	06/11/20	PCM	TSJ	TSJ

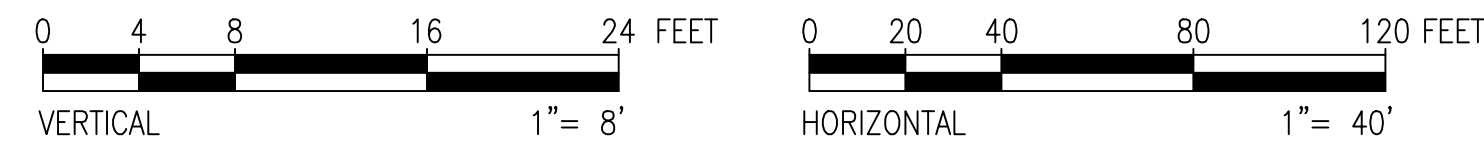
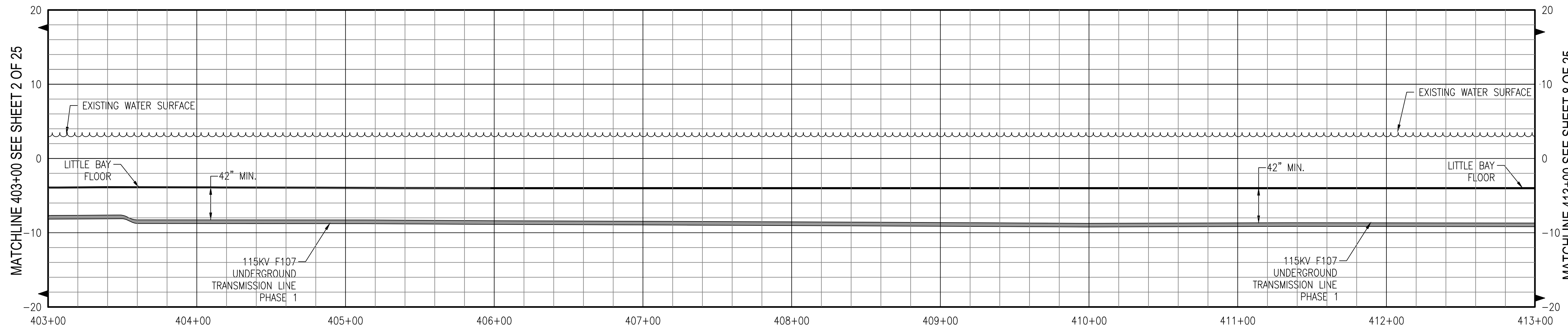
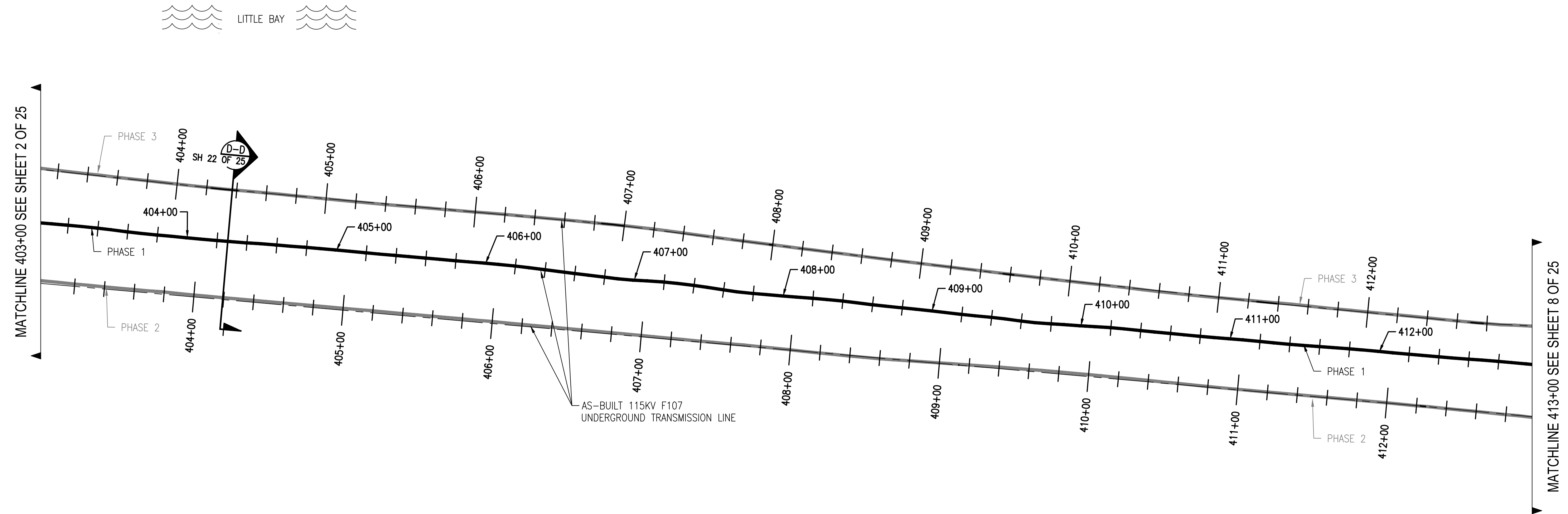
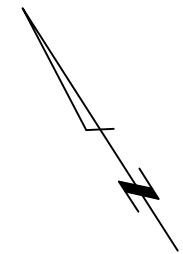
EVERSOURCE
ENERGY

CIRCUIT F107 115KV UNDERGROUND TRANSMISSION LINE
PLAN AND PROFILE VIEW
DATE: 3/7/2019
SCALE: H: 1"=40', V: 1"=8'

DES: REO
CHK: TJS
DRW: REO
APR: TJS

TOWN: DURHAM
TRANSMISSION LINE: LINE
MILE NO: 8 & 9
DISCIPLINE/SHT NO.

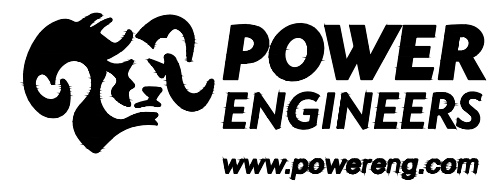
SHEET 3 OF 25
F10743003



PRINT DRAWING TO SCALE ON 22"x34" SHEET

811
Know what's below.
Call before you dig.

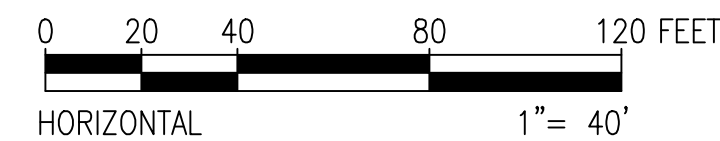
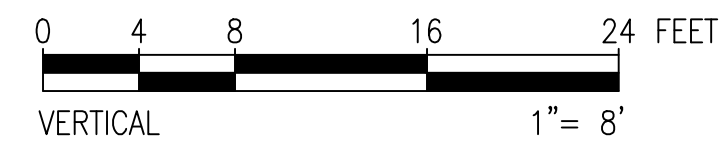
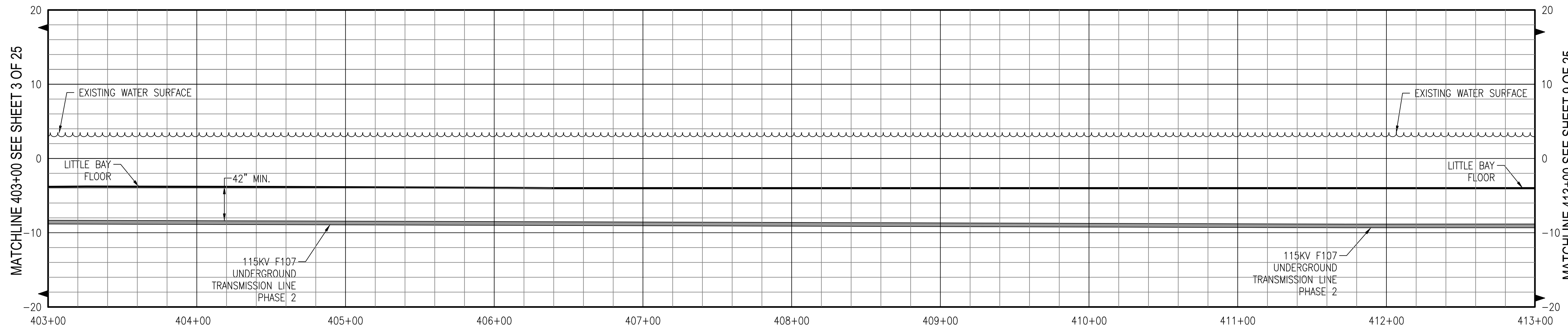
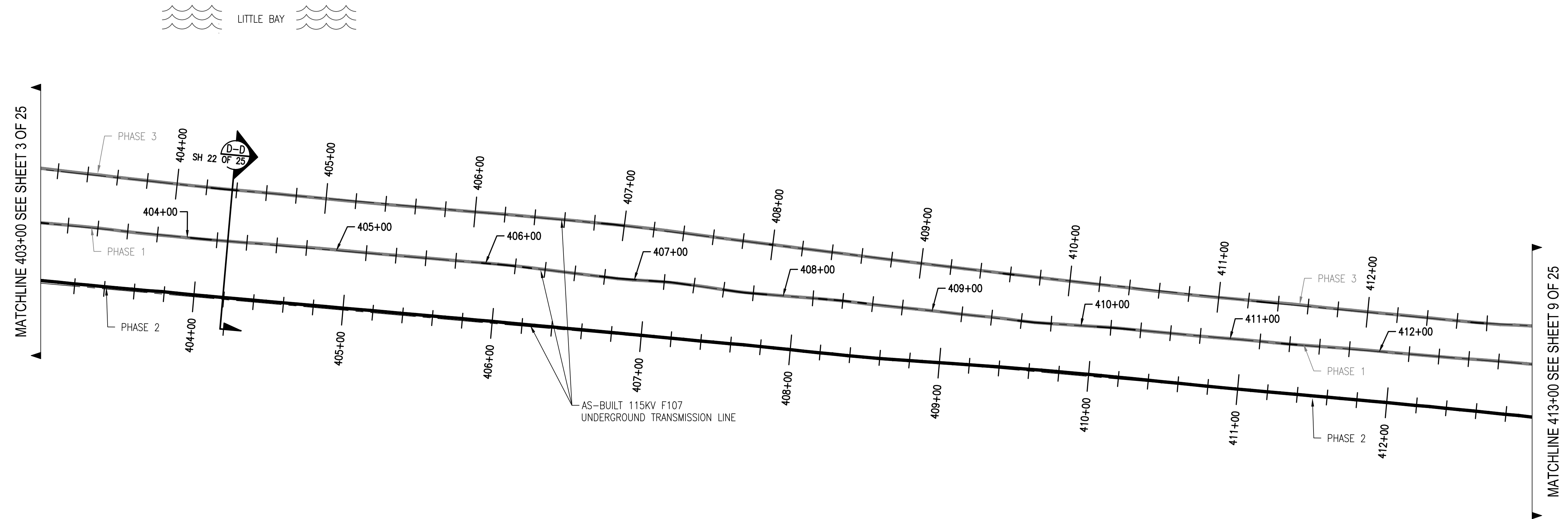
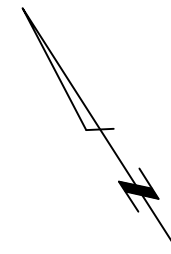
THREE BUSINESS DAYS BEFORE YOU DIG CALL
NEW HAMPSHIRE DIG SAFE SYSTEM, INC.
TOLL FREE
1-888-344-7233



NO.	REVISION	DATE	DRWN	CHKD	APPRV.
4	ISSUE FOR RECORD	04/17/2019	EPH-3466	M	TESTIMONIA 6-11-20
3	ISSUE FOR CONSTRUCTION	04/17/2019	EPH-3466	M	TESTIMONIA 6-11-20
2	ISSUE FOR CONSTRUCTION	04/17/2019	EPH-3466	M	TESTIMONIA 6-11-20
1	ISSUE FOR CONSTRUCTION	04/17/2019	EPH-3466	M	TESTIMONIA 6-11-20

EVERSOURCE
ENERGY

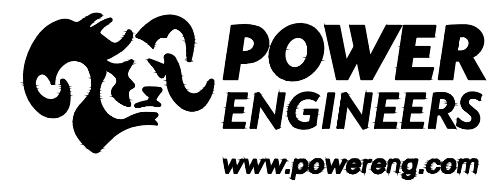
CIRCUIT F107 115KV UNDERGROUND TRANSMISSION LINE	T	4
PLAN AND PROFILE VIEW		
DATE: 3/7/2019		
SCALE: H: 1"=40', V: 1"=8'		
DES: REO	CHK: TSG	
DRW: REO	APR: TSG	
TOWN: DURHAM		
TRANSMISSION LINE: LINE		
MILE NO: 8 & 9		
DISCIPLINE/SHT NO.		
SHEET 5 OF 25		
F10743003		



PRINT DRAWING TO SCALE ON 22"x34" SHEET

811
Know what's below.
Call before you dig.

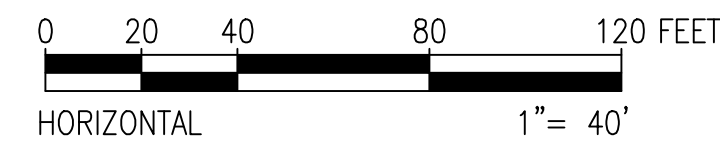
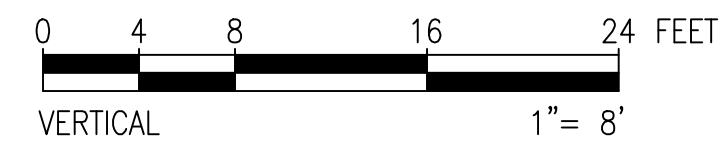
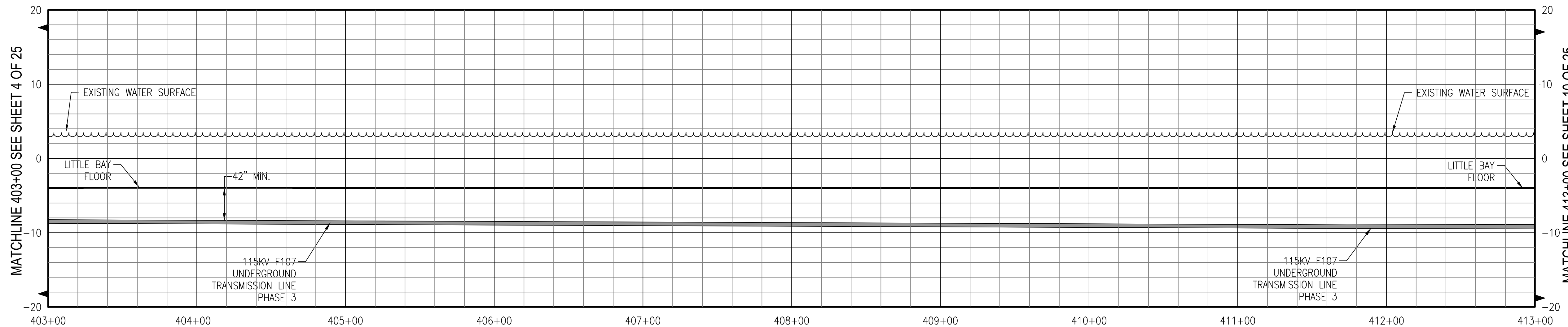
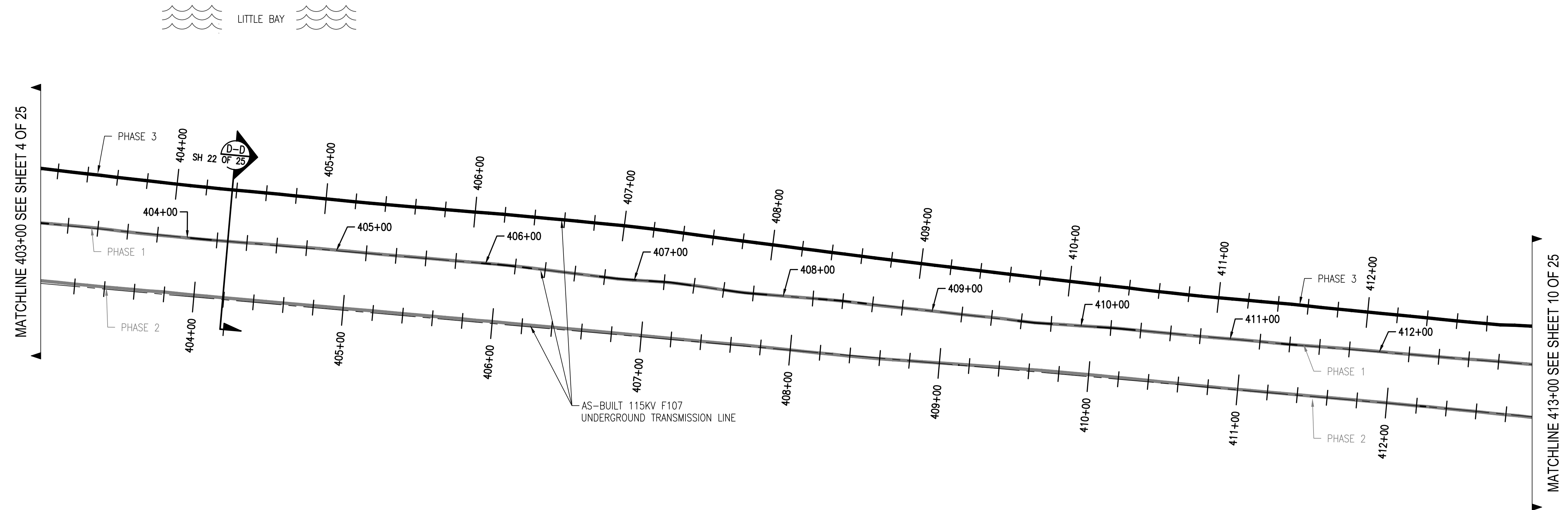
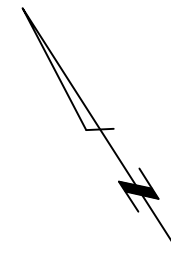
THREE BUSINESS DAYS BEFORE YOU DIG CALL
NEW HAMPSHIRE DIG SAFE SYSTEM, INC.
TOLL FREE
1-888-344-7233



NO.	REVISION	DATE	DRWN	CHKD	APPRV.
4	ISSUE FOR RECORD	04/11/2020	PCM	RED	TSG
3	ISSUE FOR CONSTRUCTION	03/25/20	PCM	RED	TSG
2	ISSUE FOR CONSTRUCTION	03/25/20	PCM	RED	TSG
1	ISSUE FOR CONSTRUCTION	03/11/19	PCM	RED	TSG

EVERSOURCE
ENERGY

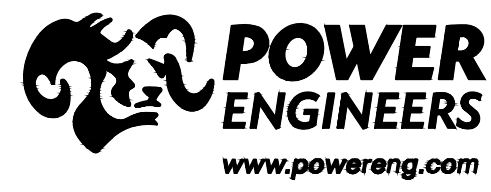
CIRCUIT F107 115KV UNDERGROUND TRANSMISSION LINE PLAN AND PROFILE VIEW	T	4
DATE: 3/1/2019		
SCALE: H: 1"=40', V: 1"=8'		
DES: RED	CHK: TSG	
DRW: RED	APR: TSG	
TOWN: DURHAM		
TRANSMISSION LINE: LINE		
MILE NO: 8 & 9		
DISCIPLINE/SHT NO.		
SHEET 6 OF 25		
F10743003		



PRINT DRAWING TO SCALE ON 22"x34" SHEET

811
 Know what's below.
 Call before you dig.

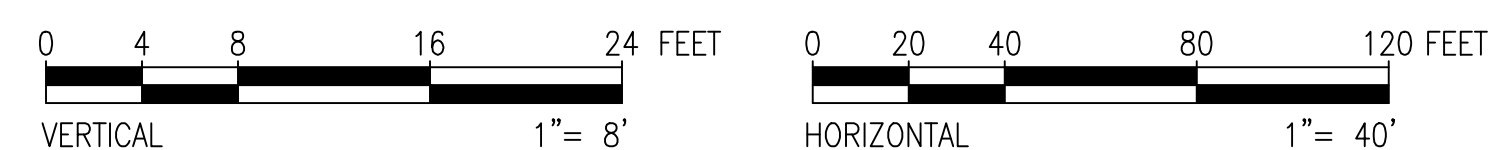
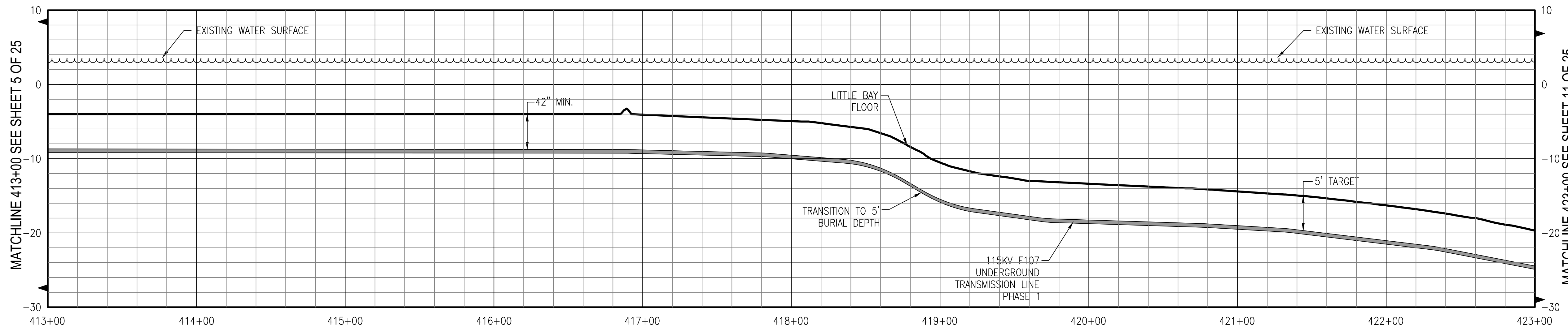
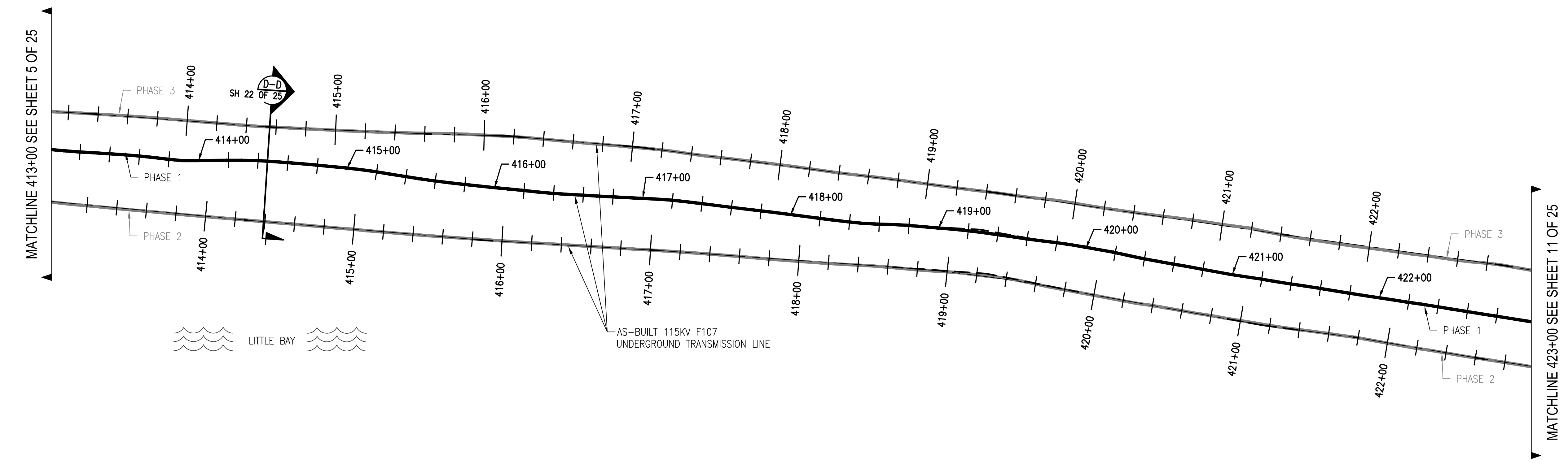
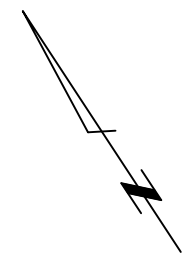
THREE BUSINESS DAYS BEFORE YOU DIG CALL
 NEW HAMPSHIRE DIG SAFE SYSTEM, INC.
 TOLL FREE
 1-888-344-7233



NO.	REVISION	DATE	DRWN	CHKD	APPRV.
4	ISSUE FOR RECORD	04/11/2020	PCW	RED	TSG
3	ISSUE FOR CONSTRUCTION	03/25/20	PCW	RED	TSG
2	ISSUE FOR CONSTRUCTION	02/25/20	PCW	RED	TSG
1	ISSUE FOR CONSTRUCTION	01/19/19	PCW	RED	TSG

EVERSOURCE
ENERGY

T	4
CIRCUIT F107 115KV UNDERGROUND TRANSMISSION LINE PLAN AND PROFILE VIEW	
DATE: 3/7/2019	
SCALE: H: 1"=40', V: 1"=8'	
DES: RED CHK: TSG	
DRW: RED APR: TSG	
TOWN: DURHAM	
TRANSMISSION LINE: LINE	
MILE NO: 8 & 9	
DISCIPLINE/SHT NO.	
SHEET 7 OF 25	
F10743003	



PRINT DRAWING TO SCALE ON 22"x34" SHEET

**Know what's below.
Call before you dig.**

THREE BUSINESS DAYS BEFORE YOU DIG CALL
NEW HAMPSHIRE DIG SAFE SYSTEM, INC.
TOLL FREE
1-888-344-7233

NO.	REVISION	DATE	BY	CHKD	APPRV.
4	ISSUE FOR RECORD	11/20/20	PCW	RED	TSG
3	ISSUE FOR CONSTRUCTION	05/22/19	PCW	RED	TSG
2	ISSUE FOR CONSTRUCTION	05/22/19	PCW	RED	TSG
1	ISSUE FOR CONSTRUCTION	05/11/19	PCW	RED	TSG

EVERSOURCE
ENERGY

T 4

CIRCUIT F107 115KV
UNDERGROUND TRANSMISSION LINE
PLAN AND PROFILE VIEW

DATE: 3/7/2019

SCALE: H: 1"=40', V: 1"=8'

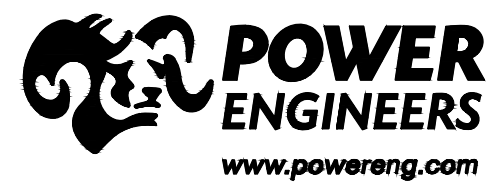
DES: RED CHK: TSG
DRW: RED APR: TSG

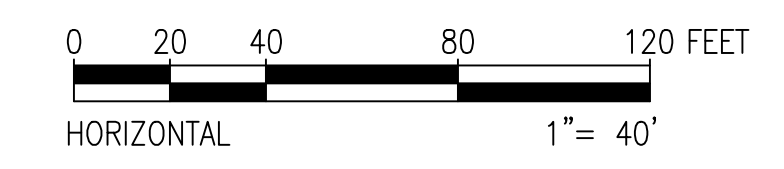
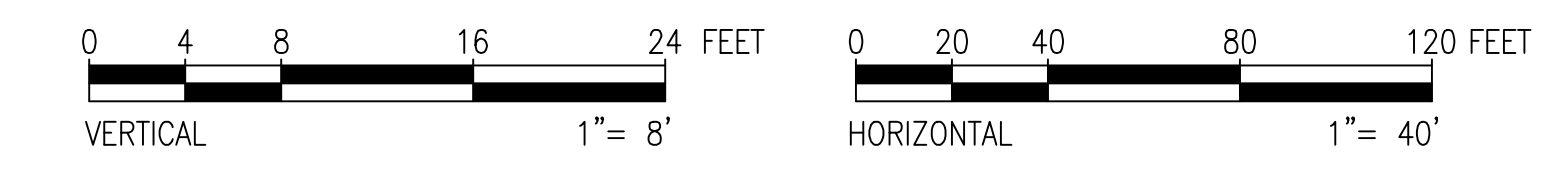
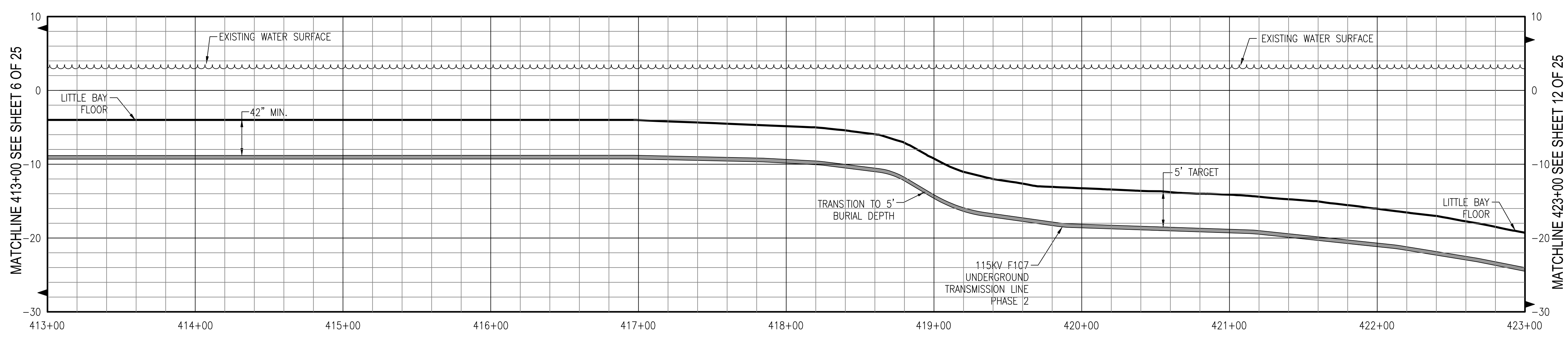
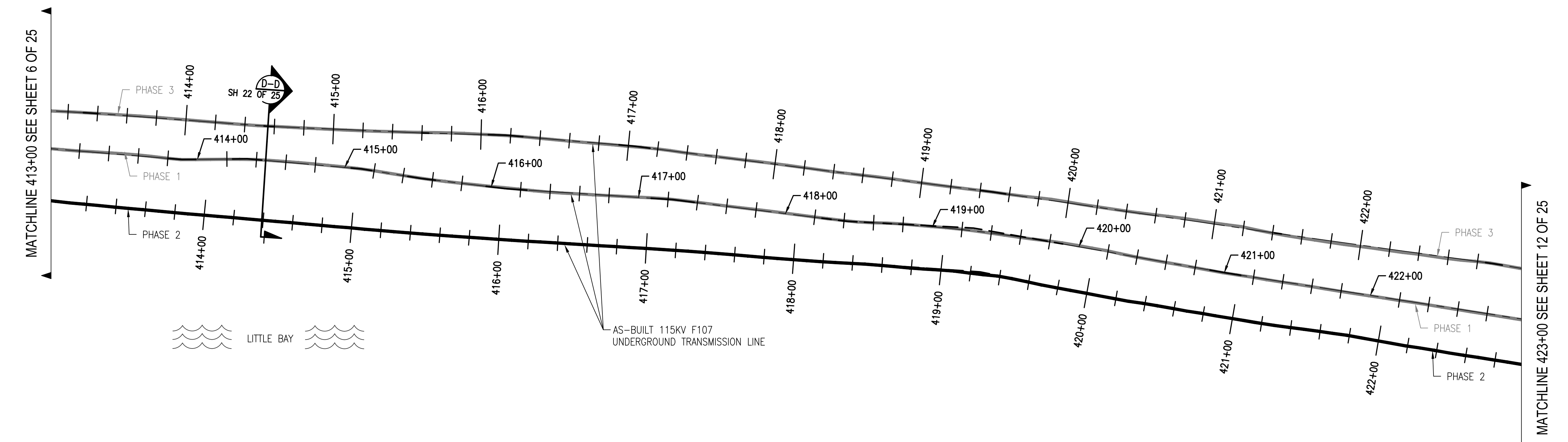
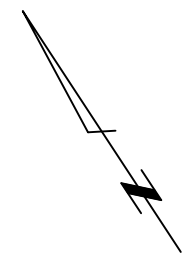
TOWN:
DURHAM

TRANSMISSION LINE:
LINE

MILE NO: 8 & 9
DISCIPLINE/SHT NO.

SHEET 8 OF 25
F10743003





PRINT DRAWING TO SCALE ON 22"x34" SHEET

**Know what's below.
Call before you dig.**

THREE BUSINESS DAYS BEFORE YOU DIG CALL
NEW HAMPSHIRE DIG SAFE SYSTEM, INC.
 TOLL FREE
1-888-344-7233

NO.	REVISION	DATE	BY	CHKD	APPRV.
1	ISSUE FOR CONSTRUCTION	05-11-19	REG	TSG	TSG
2	REVISED SHORING	05-23-19	REG	TSG	TSG
3	REVISED SHORING	05-23-19	REG	TSG	TSG
4	ISSUE FOR RECORD	05-11-20	PCM	REG	TSG

EVERSOURCE
ENERGY

T 4

DATE: 3/7/2019

SCALE: H: 1"=40', V: 1"=8'

CIRCUIT F107 115KV
UNDERGROUND TRANSMISSION LINE
PLAN AND PROFILE VIEW

DES: REG CHK: TSG
 DRW: REG APR: TSG

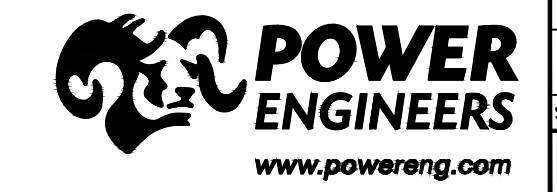
TOWN:
DURHAM

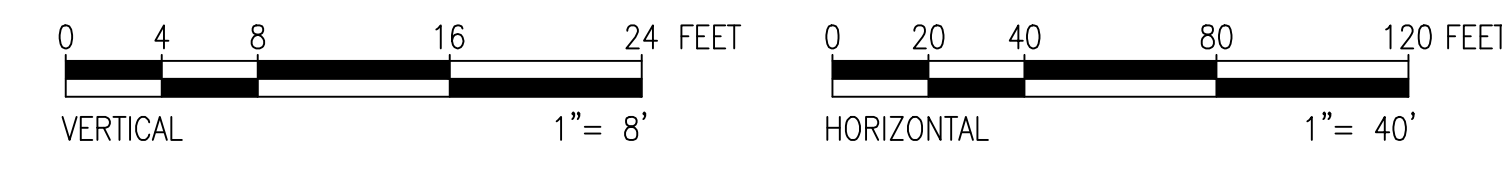
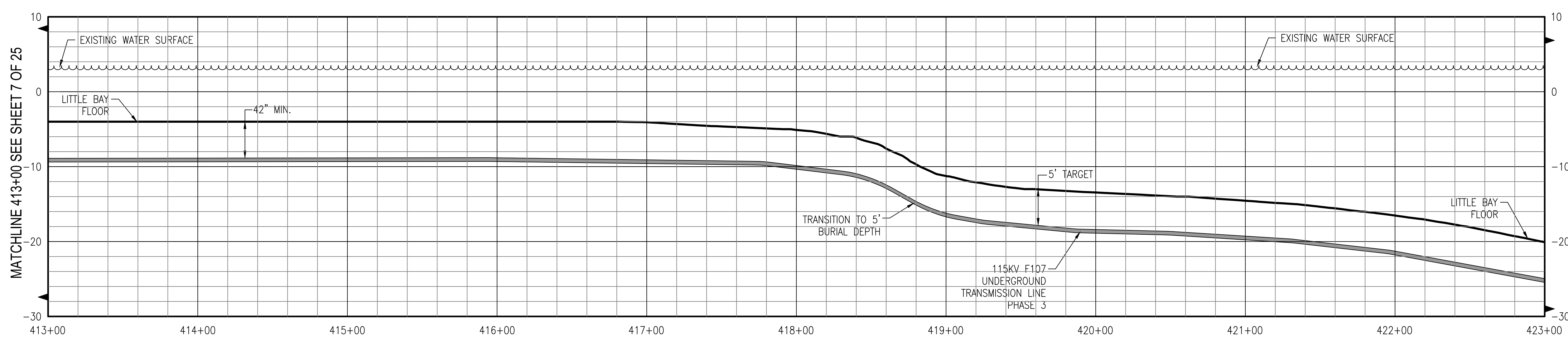
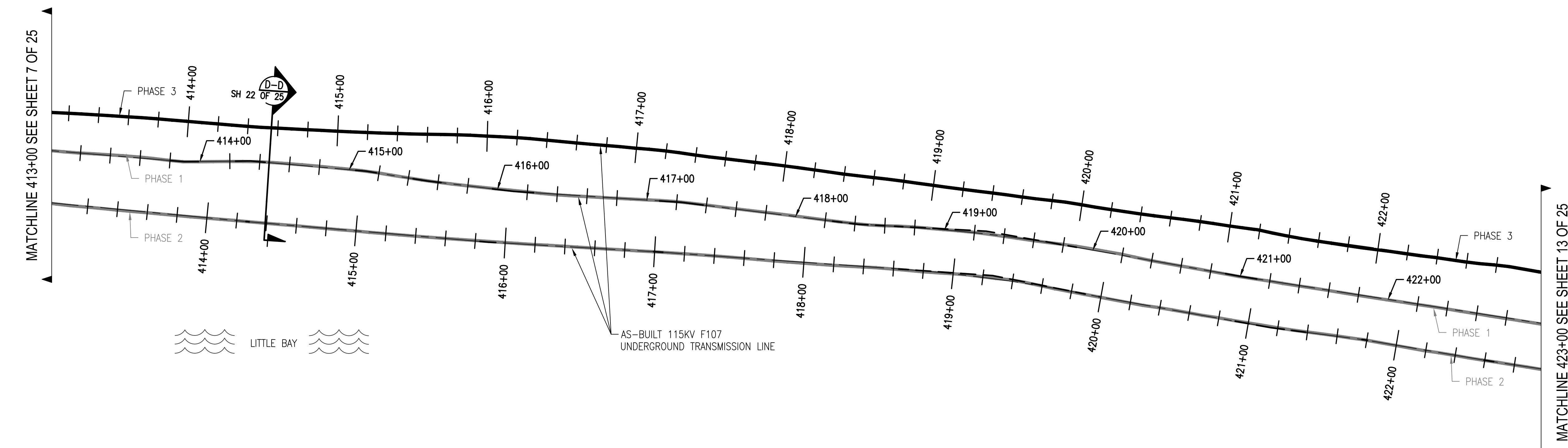
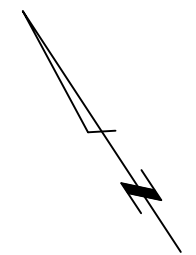
TRANSMISSION LINE:
LINE

MILE NO: 8 & 9
DISCIPLINE/SHT NO.

SHEET 9 OF 25

F10743003





PRINT DRAWING TO SCALE ON 22"X34" SHEET

**Know what's below.
Call before you dig.**

THREE BUSINESS DAYS BEFORE YOU DIG CALL
NEW HAMPSHIRE DIG SAFE SYSTEM, INC.
TOLL FREE
1-888-344-7233

NO.	REVISION	DATE	BY	CHKD	APPR.
4	ISSUE FOR RECORD	08/11/20	PCM	RED	TSG
3	ISSUE FOR CONSTRUCTION	05/22/19	RED	RED	TSG
2	ISSUE FOR CONSTRUCTION	05/22/19	RED	RED	TSG
1	ISSUE FOR CONSTRUCTION	03/11/19	RED	RED	TSG

EVERSOURCE
ENERGY

T 4

DATE: 3/7/2019

SCALE: H: 1"=40', V: 1"=8'

CIRCUIT F107 115KV
UNDERGROUND TRANSMISSION LINE
PLAN AND PROFILE VIEW

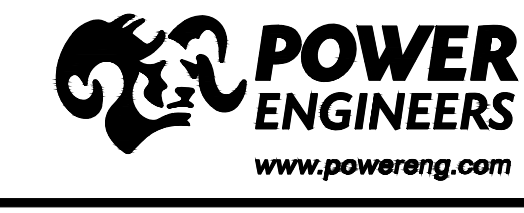
DES: RED CHK: TSG
DRW: RED APR: TSG

TOWN:
DURHAM

TRANSMISSION LINE:
LINE

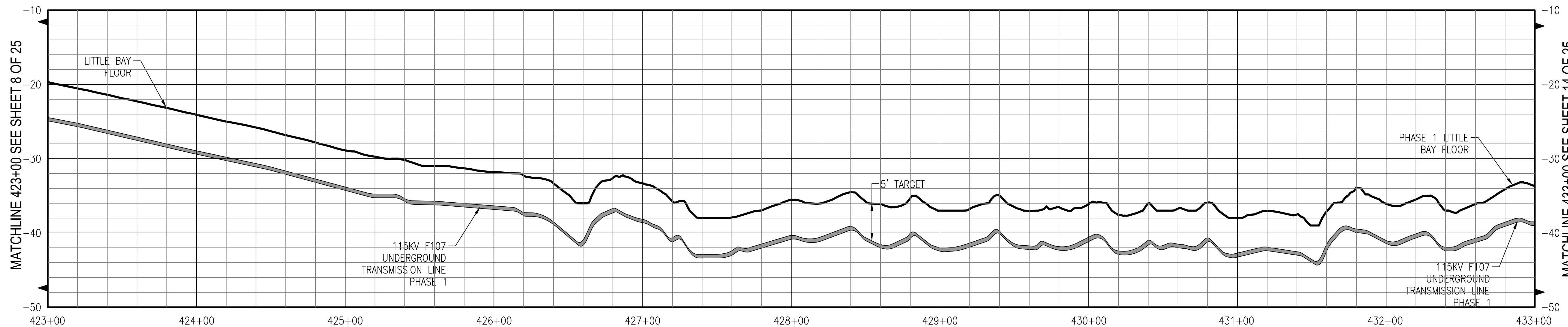
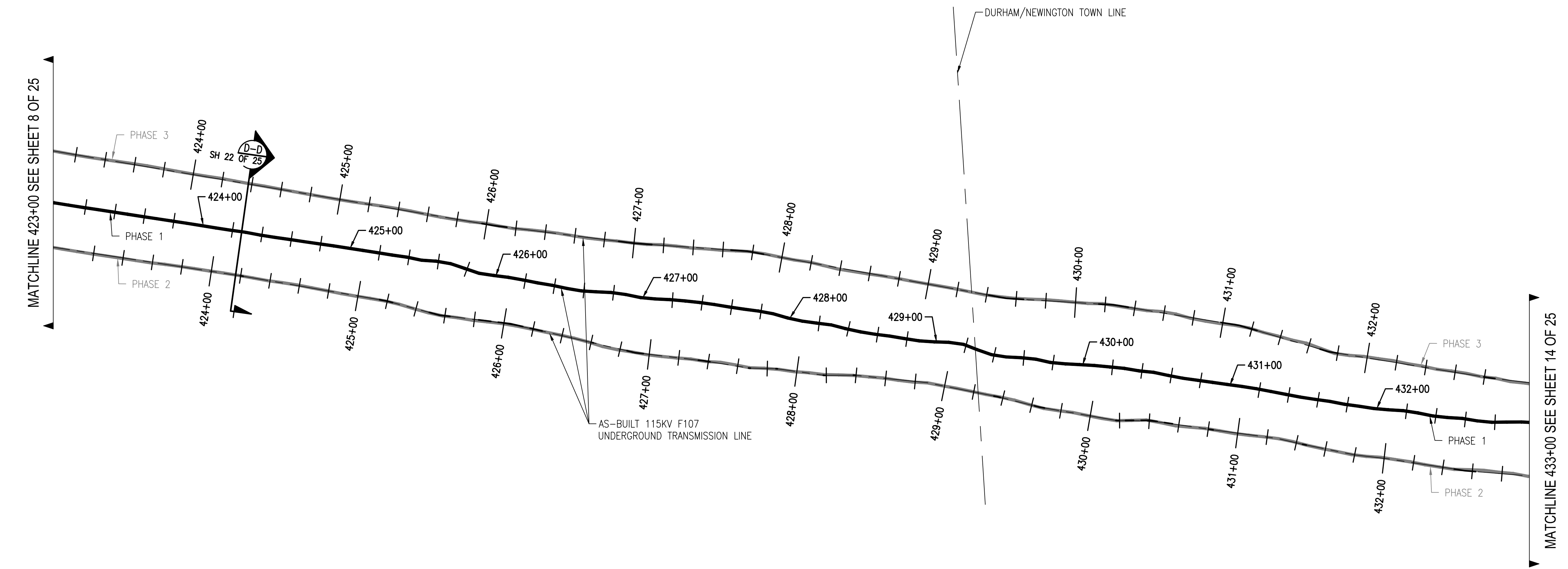
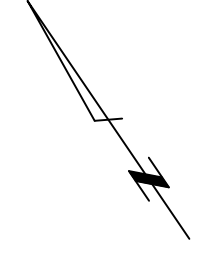
MILE NO: 8 & 9
DISCIPLINE/SHT NO.

SHEET 10 OF 25
F10743003



6/11/2020 9:41 AM - pmogoon - Z:\Projects\133007\DD\DWG\09 Final CADD Files\To EVERSOURCE\As-Built\Little Bay (F10743003)\REV 4\F10743003.dwg - 11

ES VER. 11/2015



PRINT DRAWING TO SCALE ON 22"x34" SHEET

**Know what's below.
Call before you dig.**

THREE BUSINESS DAYS BEFORE YOU DIG CALL
NEW HAMPSHIRE DIG SAFE SYSTEM, INC.
TOLL FREE
1-888-344-7233

NO.	REVISION	DATE	BY	CHKD	APPRV.
1	ISSUE FOR CONSTRUCTION	05-11-19	PCW	RED	TSG
2	ISSUE FOR RECORD	05-22-19	PCW	RED	TSG
3	ISSUE FOR RECORD	05-22-19	PCW	RED	TSG
4	ISSUE FOR RECORD	05-11-20	PCW	RED	TSG

EVERSOURCE
ENERGY

DATE: 3/7/2019

SCALE: H. 1"=40', V. 1"=8'

CIRCUIT F107 115KV UNDERGROUND TRANSMISSION LINE
PLAN AND PROFILE VIEW

T 4

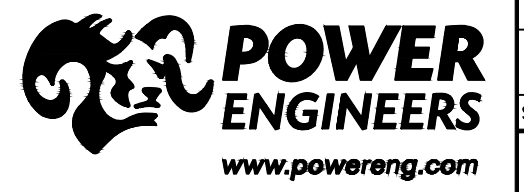
DES. REO CHK:TS
DRW. REO APR: TSG

TOWN:
DURHAM & NEWINGTON

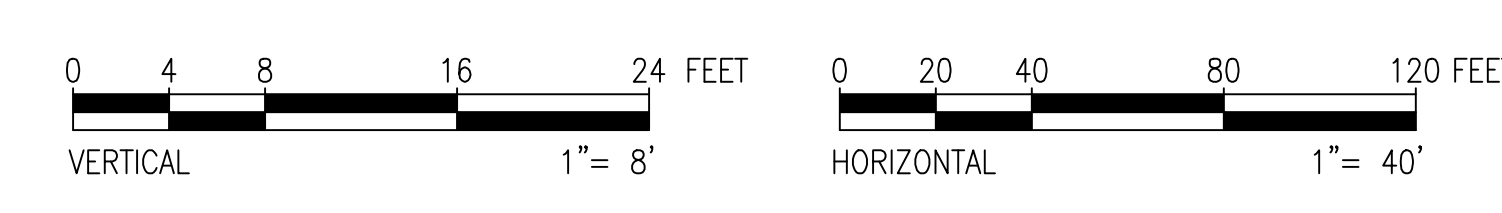
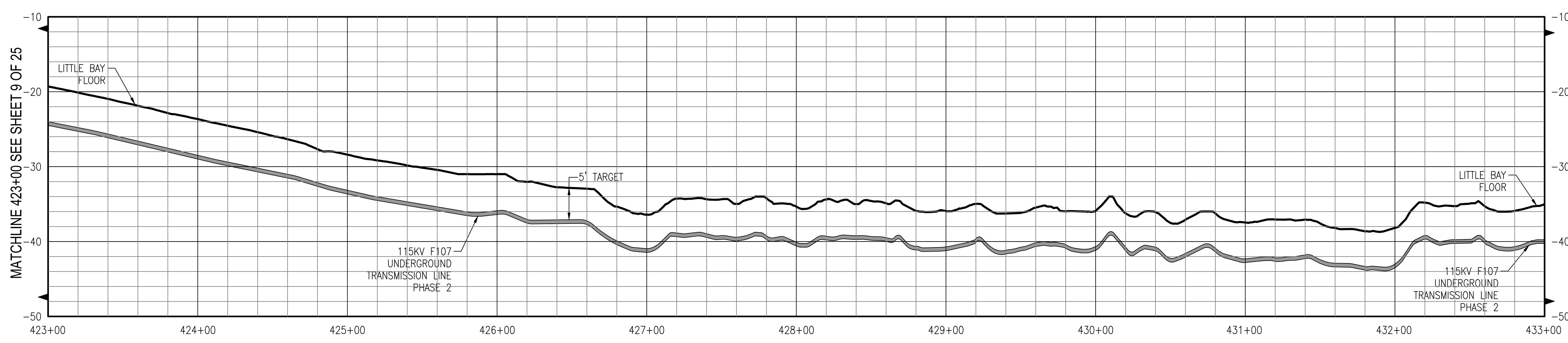
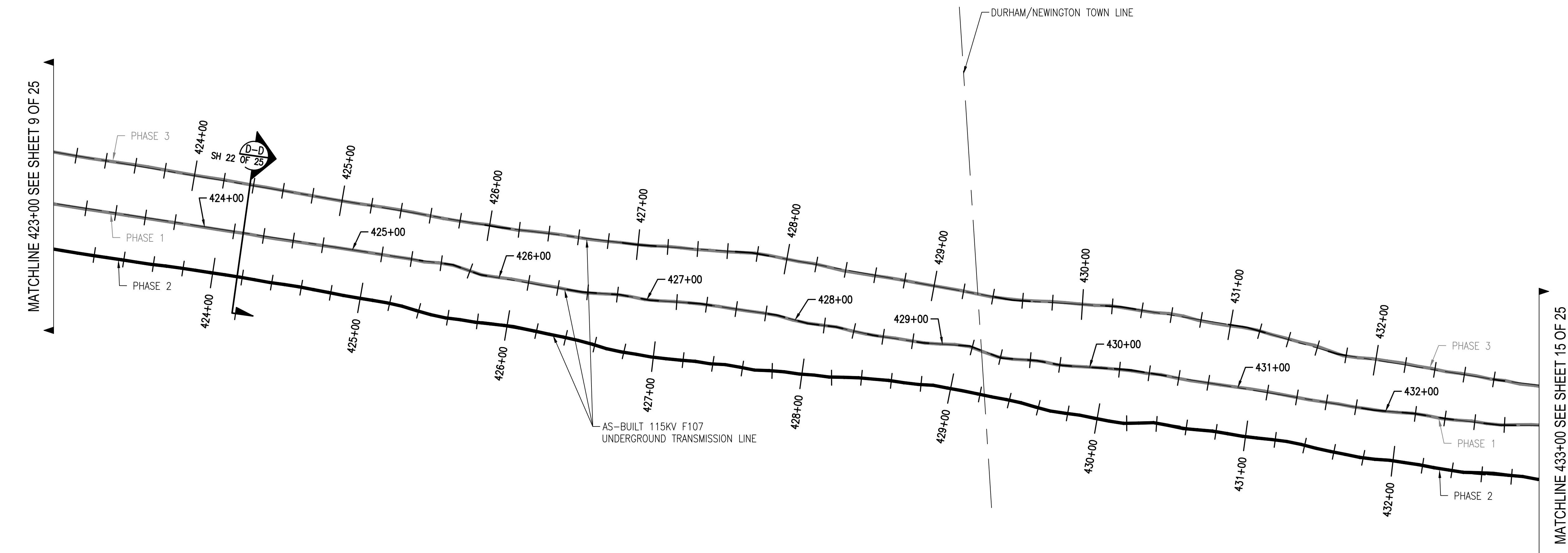
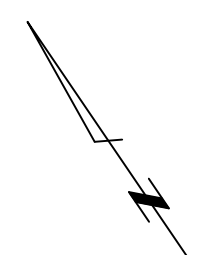
TRANSMISSION LINE:
LINE

MILE NO: 8 & 9
DISCIPLINE/SHT NO.

SHEET 11 OF 25
F10743003



6/11/2020 9:41 AM - pmogoon - Z:\Projects\133007\DD\DWG\09 Final CADD Files\To EVERSOURCE\As-Built\Little Bay (F10743003)\REV 4\F10743003.dwg - 12 ES VER. 11/2015



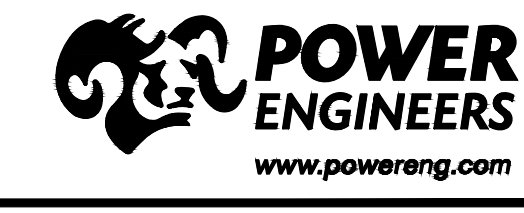
811
 Know what's below.
 Call before you dig.

THREE BUSINESS DAYS BEFORE YOU DIG CALL
 NEW HAMPSHIRE DIG SAFE SYSTEM, INC.
 TOLL FREE
 1-888-344-7233

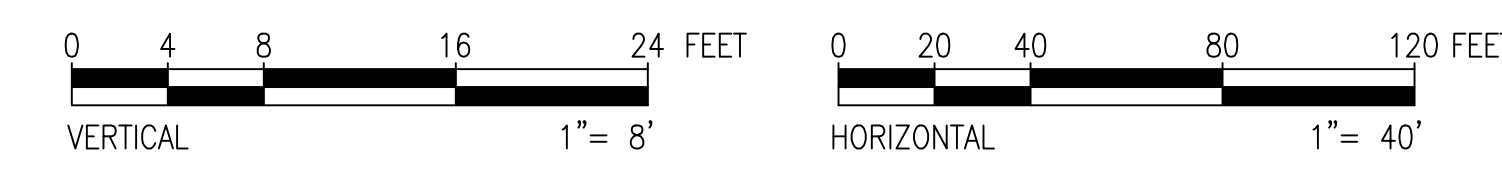
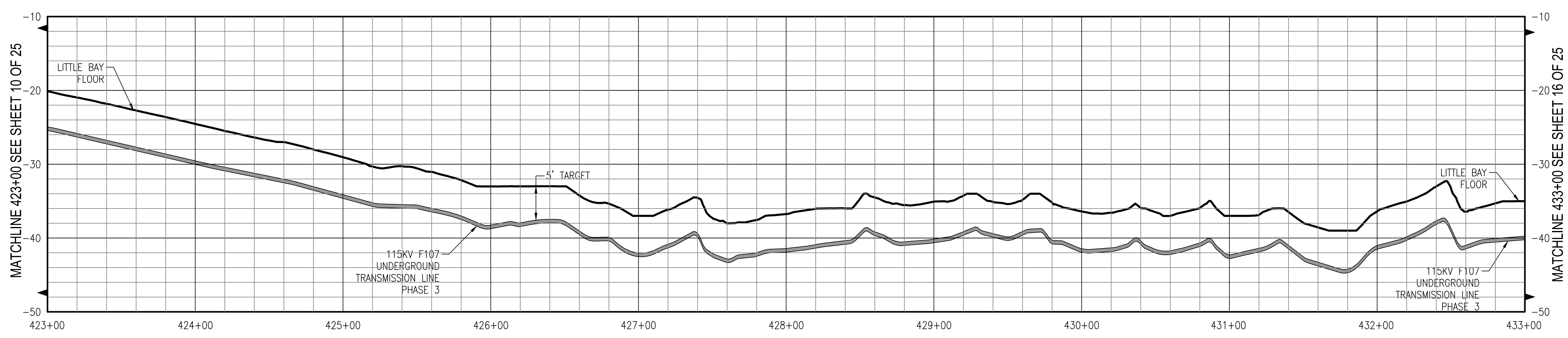
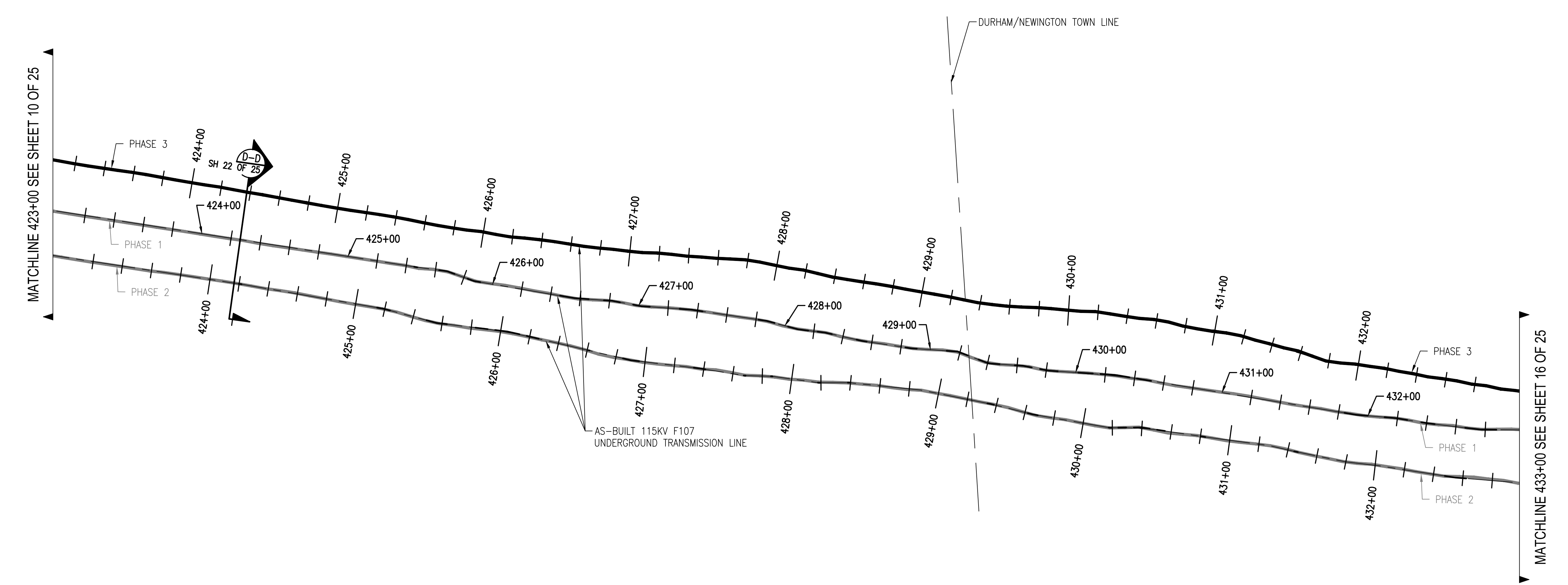
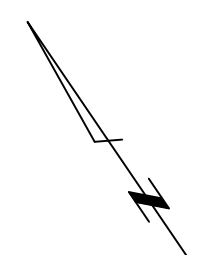
NO.	REVISION	DATE	DRAWN	CHECKED	APPROVED
1	ISSUE FOR RECORD	05-11-20	PCM	RED	TSG
2	ISSUE FOR CONSTRUCTION	05-22-19	PCM	RED	TSG
3	ISSUE FOR CONSTRUCTION	05-22-19	PCM	RED	TSG
4	ISSUE FOR CONSTRUCTION	05-22-19	PCM	RED	TSG

EVERSOURCE
 ENERGY

T 4
 DATE: 3/7/2019
 SCALE: H: 1"=40', V: 1"=8'
 PROJECT: DURHAM & NEWINGTON
 TRANSMISSION LINE:
 LINE
 MILE NO: 8 & 9
 DISCIPLINE/SHT NO:
 SHEET 12 OF 25
 F10743003



PRINT DRAWING TO SCALE ON 22"x34" SHEET



PRINT DRAWING TO SCALE ON 22"x34" SHEET

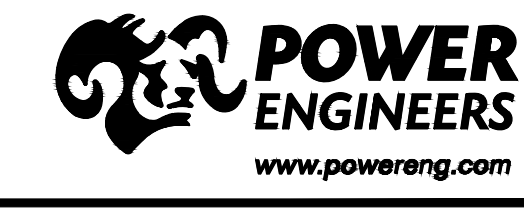
THREE BUSINESS DAYS BEFORE YOU DIG CALL
NEW HAMPSHIRE DIG SAFE SYSTEM, INC.
 TOLL FREE
 1-888-344-7233

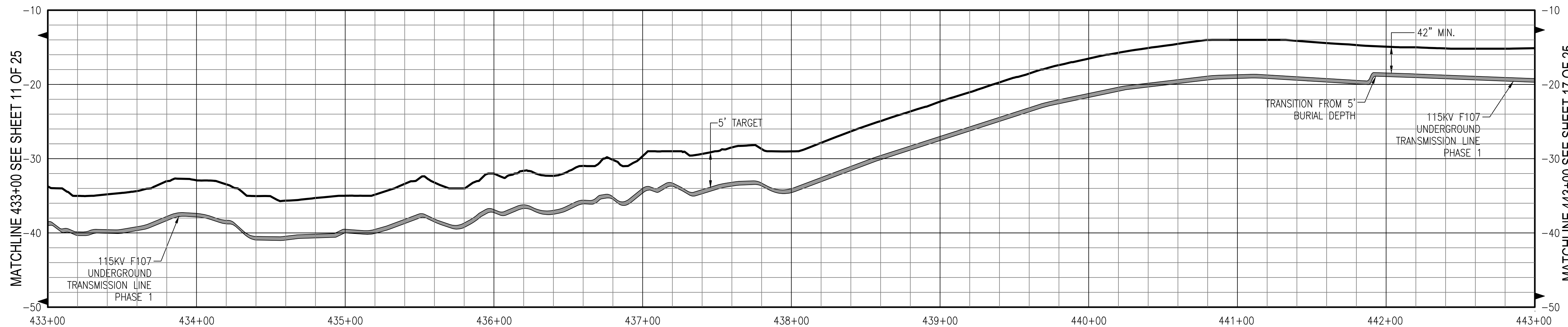
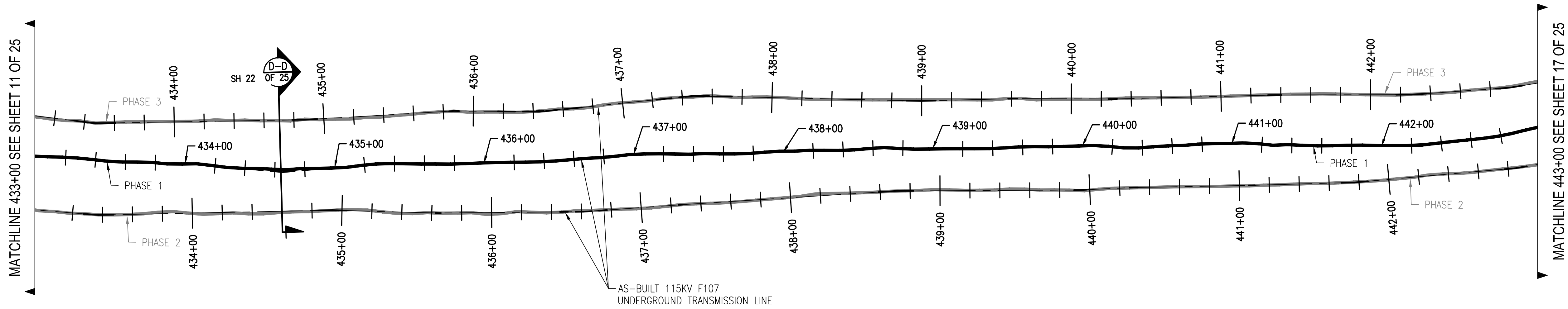
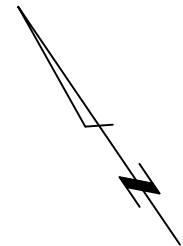
**Know what's below.
Call before you dig.**

NO.	REVISION	DATE	BY	CHKD	APPRV.
4	ISSUE FOR RECORD (MAY 17 2021) EPN-846 / RESTRICTION 8-11-20		PCM	RED	TSG
3	ISSUE FOR CONSTRUCTION (MAY 17 2021) EPN-846 / RESTRICTION 8-11-20		PCM	RED	TSG
2	ISSUE FOR CONSTRUCTION (MAY 17 2021) EPN-846 / RESTRICTION 8-11-20		PCM	RED	TSG
1	ISSUE FOR CONSTRUCTION (MAY 17 2021) EPN-846 / RESTRICTION 8-11-20		PCM	RED	TSG

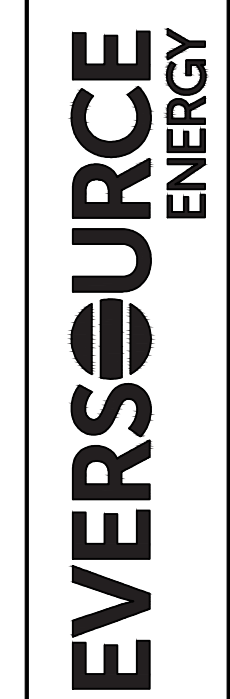
EVERSOURCE ENERGY

T 4
 DATE: 3/1/2019
 SCALE: H: 1"=40', V: 1"=8'
 TRANSMISSION LINE:
CIRCUIT F107 115KV UNDERGROUND TRANSMISSION LINE
 PLAN AND PROFILE VIEW
 SHEET 13 OF 25
F10743003





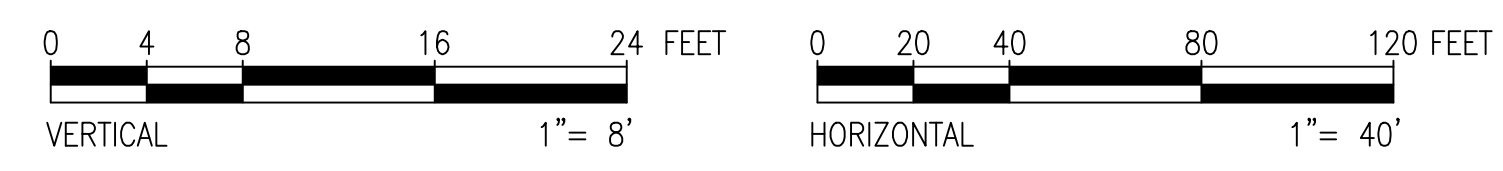
NO.	REVISION	DATE	BY	CHKD	APPRV.
4	ISSUE FOR RECORD	11/20/20	PCM	RED	TSG
3	ISSUE FOR CONSTRUCTION	05/25/19	PCM	RED	TSG
2	ISSUE FOR CONSTRUCTION	05/25/19	PCM	RED	TSG
1	ISSUE FOR CONSTRUCTION	05/11/19	PCM	RED	TSG



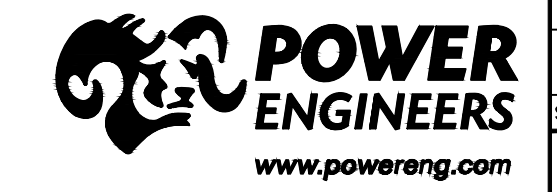
T	4
CIRCUIT F107 115KV UNDERGROUND TRANSMISSION LINE PLAN AND PROFILE VIEW	
DATE: 3/7/2019	
TOWN: NEWINGTON	
TRANSMISSION LINE: LINE	
SCALE: H. 1"=40', V. 1"=8'	
MILE NO: 8 & 9	
DISCIPLINE/SHT NO.	
SHEET 14 OF 25	
F10743003	

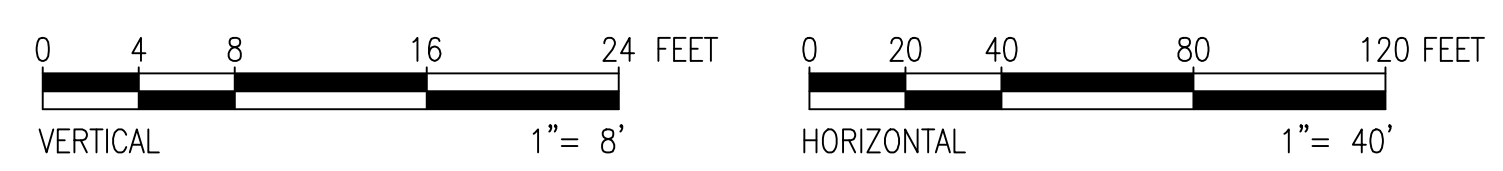
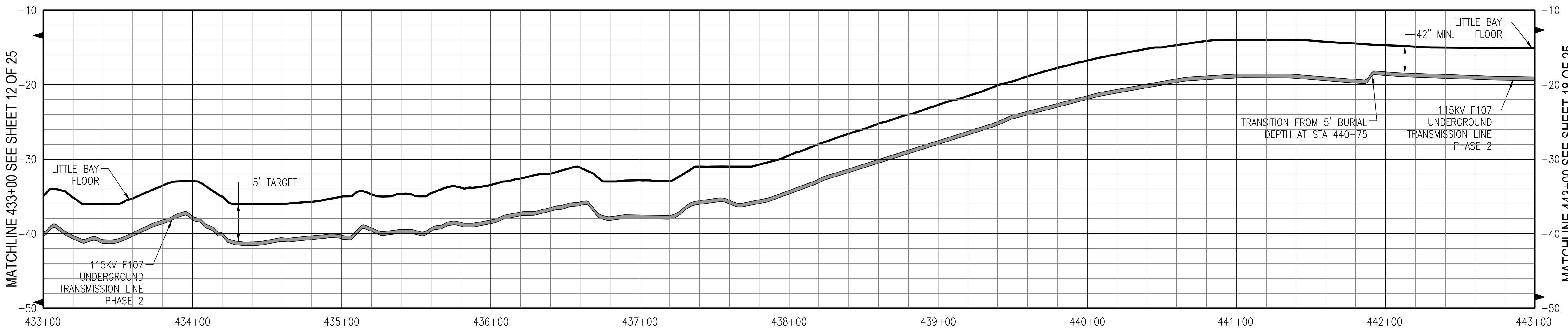
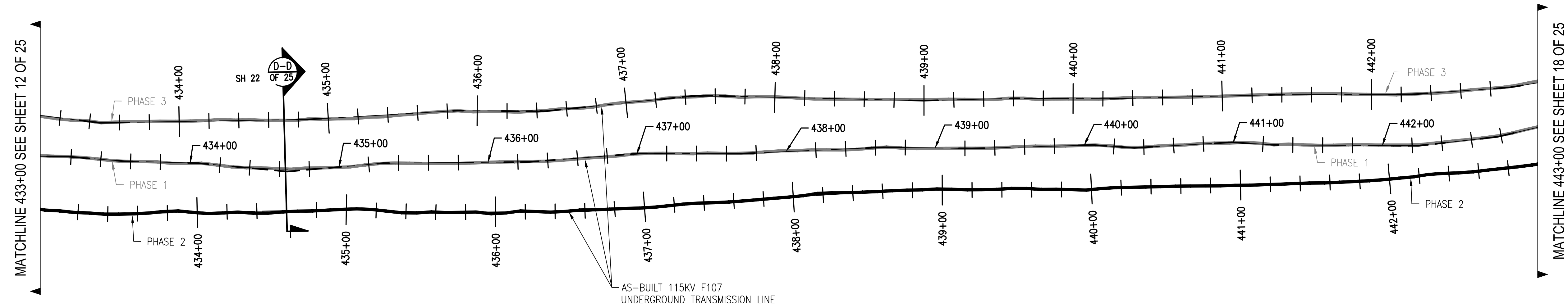
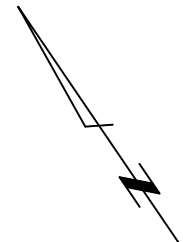
811
Know what's below.
Call before you dig.

THREE BUSINESS DAYS BEFORE YOU DIG CALL
NEW HAMPSHIRE DIG SAFE SYSTEM, INC.
TOLL FREE
1-888-344-7233



PRINT DRAWING TO SCALE ON 22"x34" SHEET





811
Know what's below.
Call before you dig.

THREE BUSINESS DAYS BEFORE YOU DIG CALL
NEW HAMPSHIRE DIG SAFE SYSTEM, INC.
TOLL FREE
1-888-344-7233

NO.	REVISION	DATE	BY	CHKD	APPRV.
4	ISSUE FOR RECORD WITH 7/24/17 PER-9466 W/ REVISIONS 8-11-20		PCM	RED	TSG
3	ISSUE FOR RECORD WITH 7/24/17 PER-9466 W/ REVISIONS 8-11-20		PCM	RED	TSG
2	ISSUE FOR RECORD WITH 7/24/17 PER-9466 W/ REVISIONS 8-11-20		PCM	RED	TSG
1	ISSUE FOR CONSTRUCTION WITH 7/24/17 PER-9466	5-1-19	RED	TSG	TSG

EVERSOURCE
ENERGY

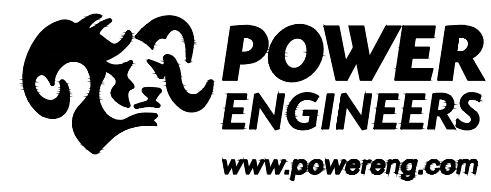
T 4

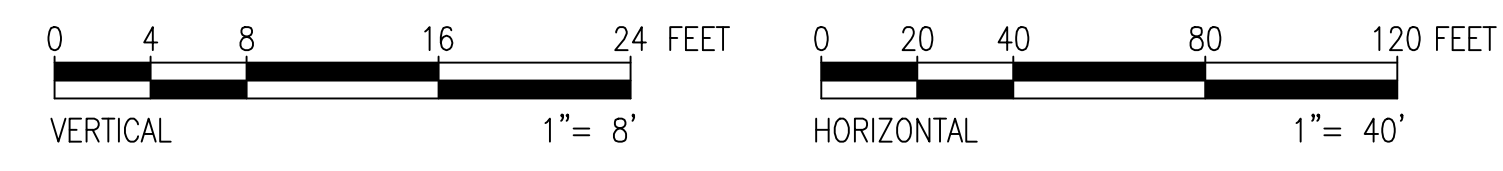
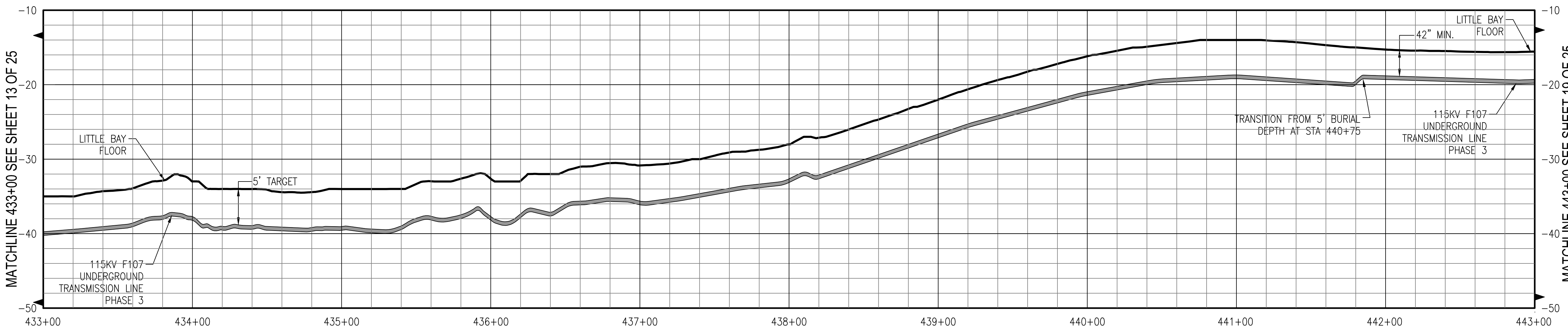
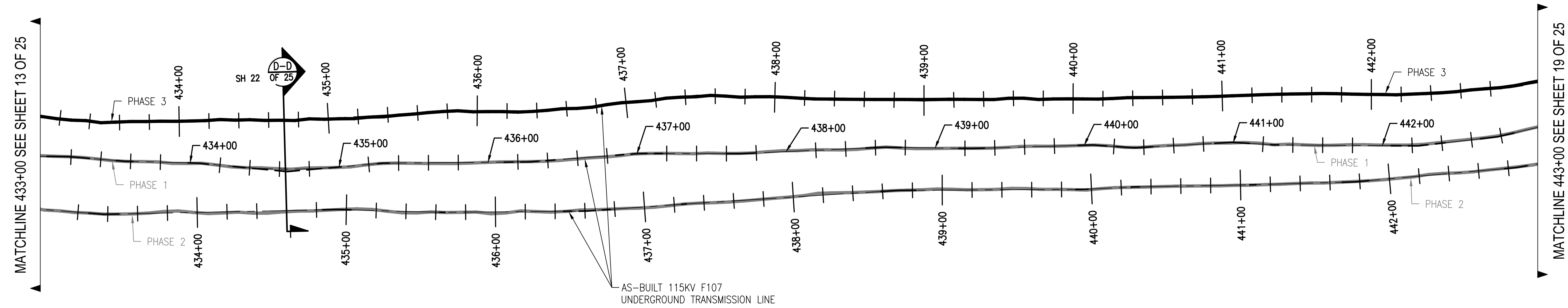
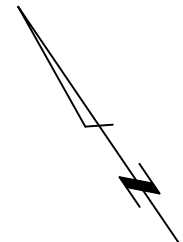
CIRCUIT F107 115KV UNDERGROUND TRANSMISSION LINE
PLAN AND PROFILE VIEW
DATE: 3/7/2019
SCALE: H: 1"=40', V: 1"=8'

DES: RED CHK: TSG
DRW: RED APR: TSG

TOWN: NEWINGTON
TRANSMISSION LINE: LINE

DISCIPLINE/SHT NO. SHEET 15 OF 25
F10743003





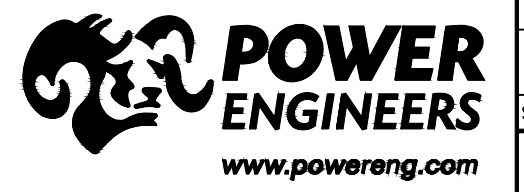
811
 Know what's below.
 Call before you dig.

THREE BUSINESS DAYS BEFORE YOU DIG CALL
 NEW HAMPSHIRE DIG SAFE SYSTEM, INC.
 TOLL FREE
 1-888-344-7233

NO.	REVISION	DATE	DRAWN	CHECKED	APPROVED
4	ISSUE FOR RECORD WITH TYPICAL ERM-9466 W/ REVISIONS 8-11-20		PCM	RED	TSG
3	ISSUE FOR CONSTRUCTION WITH TYPICAL ERM-9466 W/ REVISIONS 5-23-19		PCM	RED	TSG
2	ISSUE FOR CONSTRUCTION WITH TYPICAL ERM-9466 W/ REVISIONS 5-23-19		PCM	RED	TSG
1	ISSUE FOR CONSTRUCTION WITH TYPICAL ERM-9466	5-1-19	PCM	RED	TSG

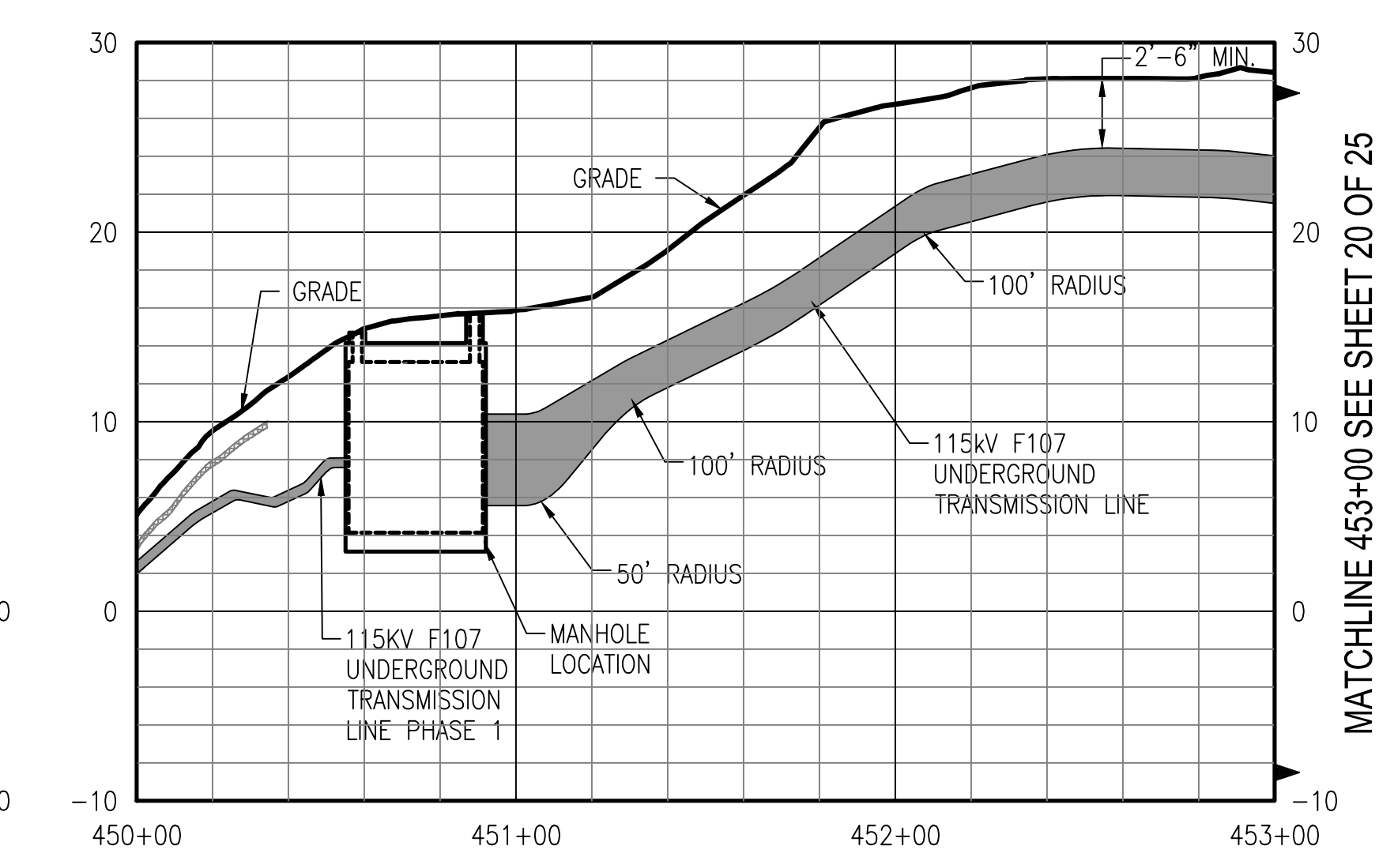
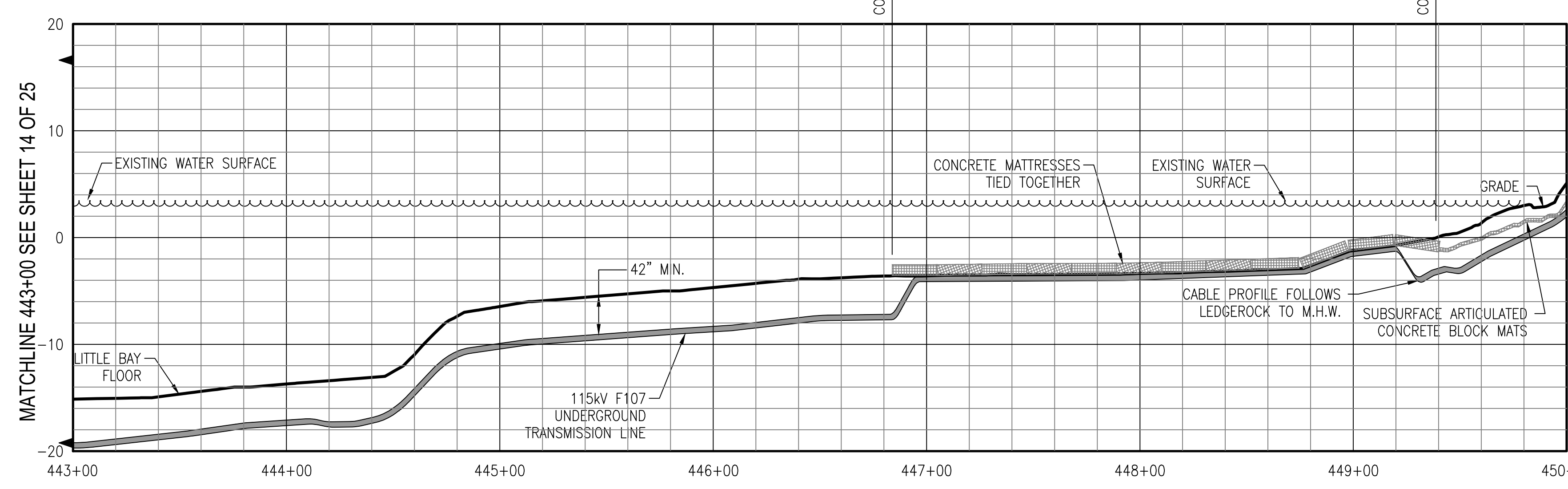
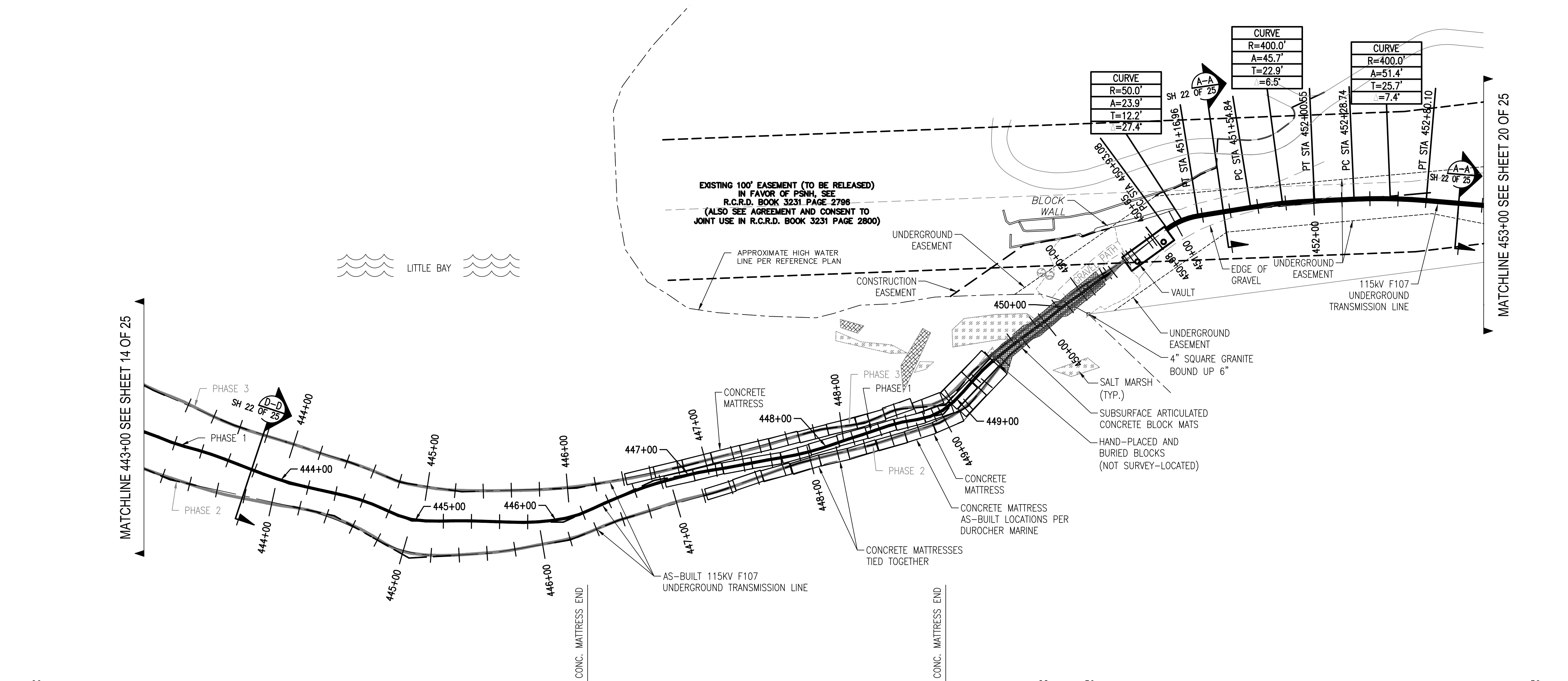
EVERSOURCE
 ENERGY

CIRCUIT F107 115KV
 UNDERGROUND TRANSMISSION LINE
 PLAN AND PROFILE VIEW
 DATE: 3/7/2019
 SCALE: H: 1"=40', V: 1"=8'



6/11/2020 9:41 AM - pmogoon - Z:\Projects\133007\DD\DWG\09 Final CAD Files\To EVERSOURCE\As-Built\Little Bay (F10743003)\REV 4\F10743003.dwg - 17

ES MER. 11/2015



MATCHLINE 443+00 SEE SHEET 14 OF 25

MATCHLINE 453+00 SEE SHEET 20 OF 25



PRINT DRAWING TO SCALE ON 22"X34" SHEET

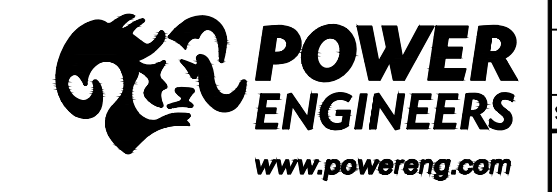
THREE BUSINESS DAYS BEFORE YOU DIG CALL
NEW HAMPSHIRE DIG SAFE SYSTEM, INC.
 TOLL FREE
 1-888-344-7233

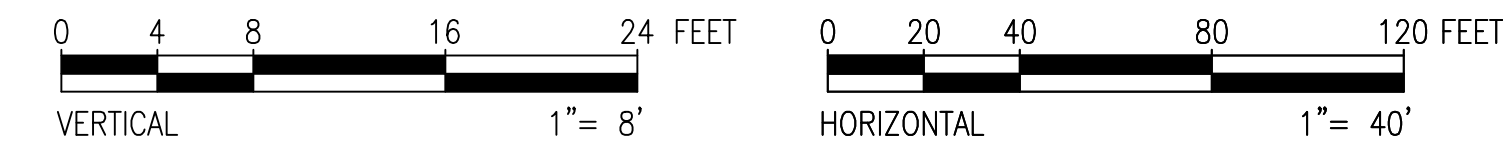
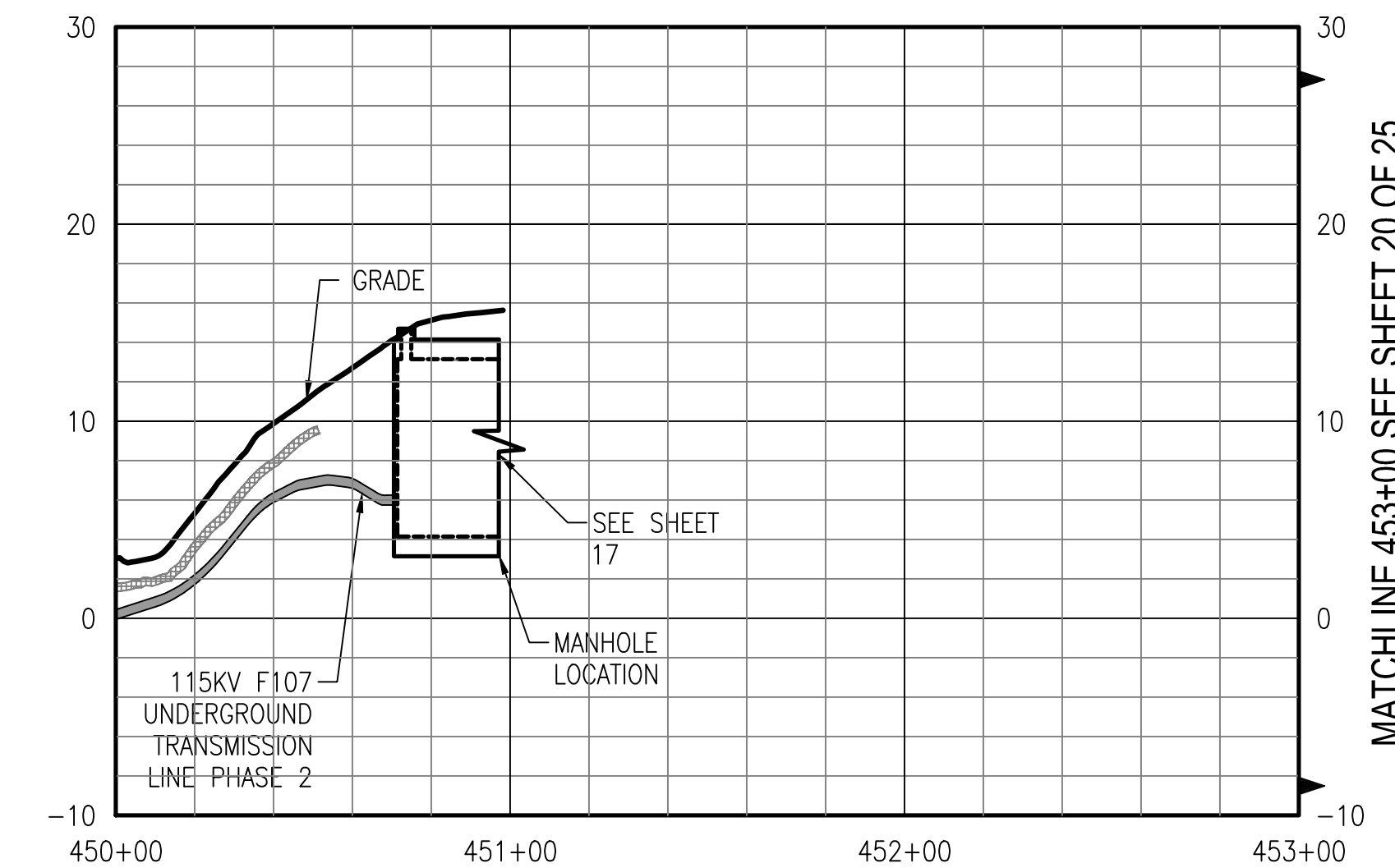
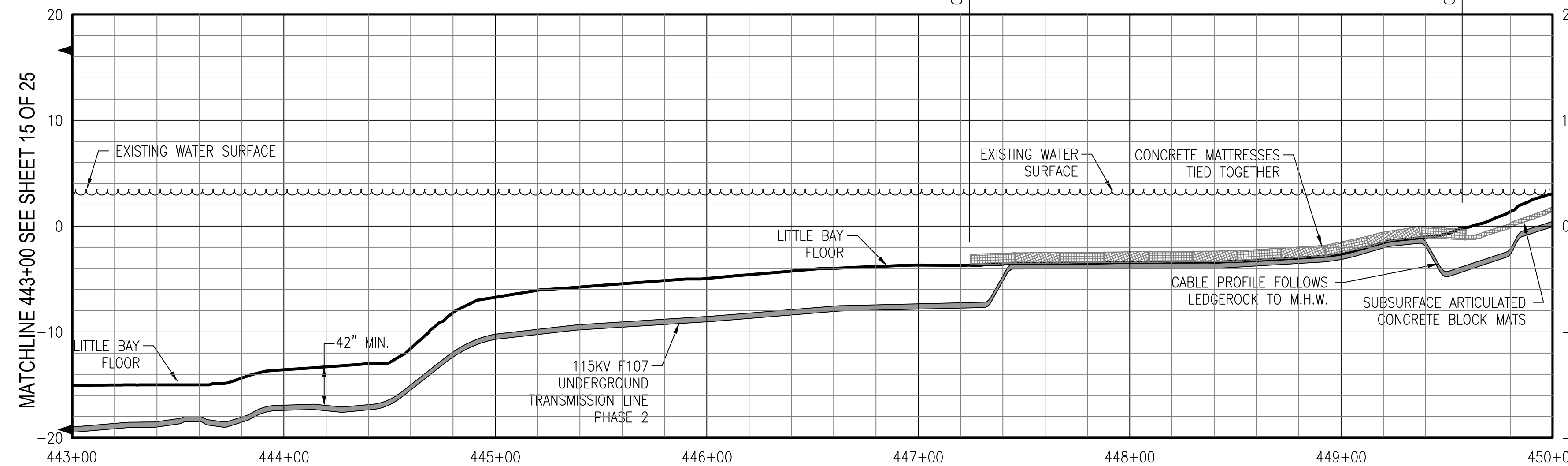
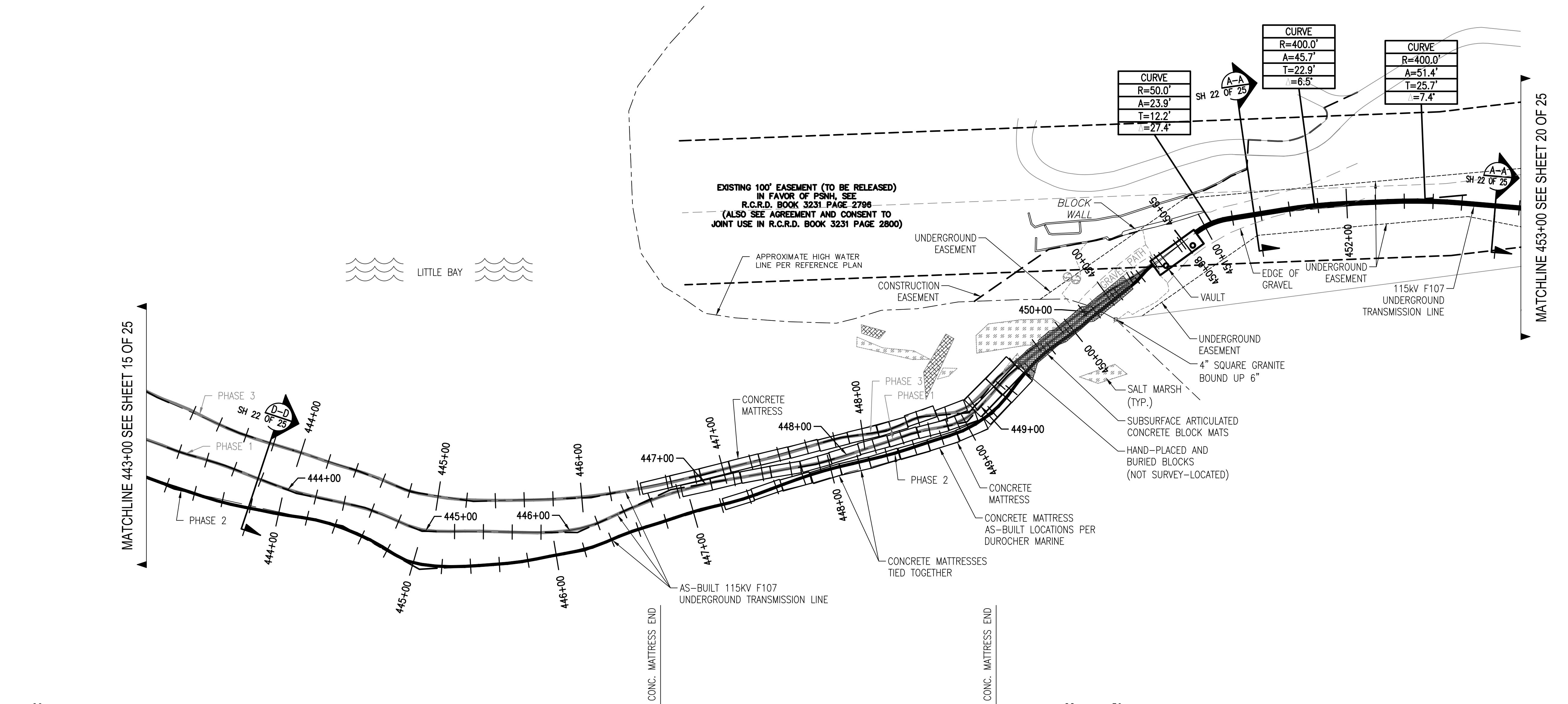
**Know what's below.
Call before you dig.**

NO.	REVISION	DATE	BY	CHKD	APPRV.
1	ISSUE FOR CONSTRUCTION	05/11/19	RSB	RSB	RSB
2	REVISED SHARING AGREEMENT	05/23/19	RSB	RSB	RSB
3	REVISED SHARING AGREEMENT	05/23/19	RSB	RSB	RSB
4	ISSUE FOR RECORD	05/11/20	PCW	RSB	RSB

EVERSOURCE ENERGY

DATE: 3/7/2019
 T 4
 CIRCUIT: F107 115KV UNDERGROUND TRANSMISSION LINE
 PLAN AND PROFILE VIEW
 TOWN: NEWINGTON
 TRANSMISSION LINE: LINE
 MILE NO: 8 & 9
 DISCIPLINE/SHT NO.
 SHEET 17 OF 25
F10743003





PRINT DRAWING TO SCALE ON 22"x34" SHEET

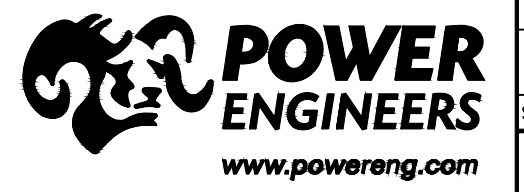
**Know what's below.
Call before you dig.**

THREE BUSINESS DAYS BEFORE YOU DIG CALL
NEW HAMPSHIRE DIG SAFE SYSTEM, INC.
 TOLL FREE
 1-888-344-7233

NO.	REVISION	DATE	BY	CHKD	APPRV.
1	ISSUE FOR CONSTRUCTION	05/11/19	MS	MS	MS
2	REV. FOR FIELD CHANGES	05/22/19	MS	MS	MS
3	REV. FOR FIELD CHANGES	05/22/19	MS	MS	MS
4	ISSUE FOR RECORD	05/11/20	PCW	MS	MS

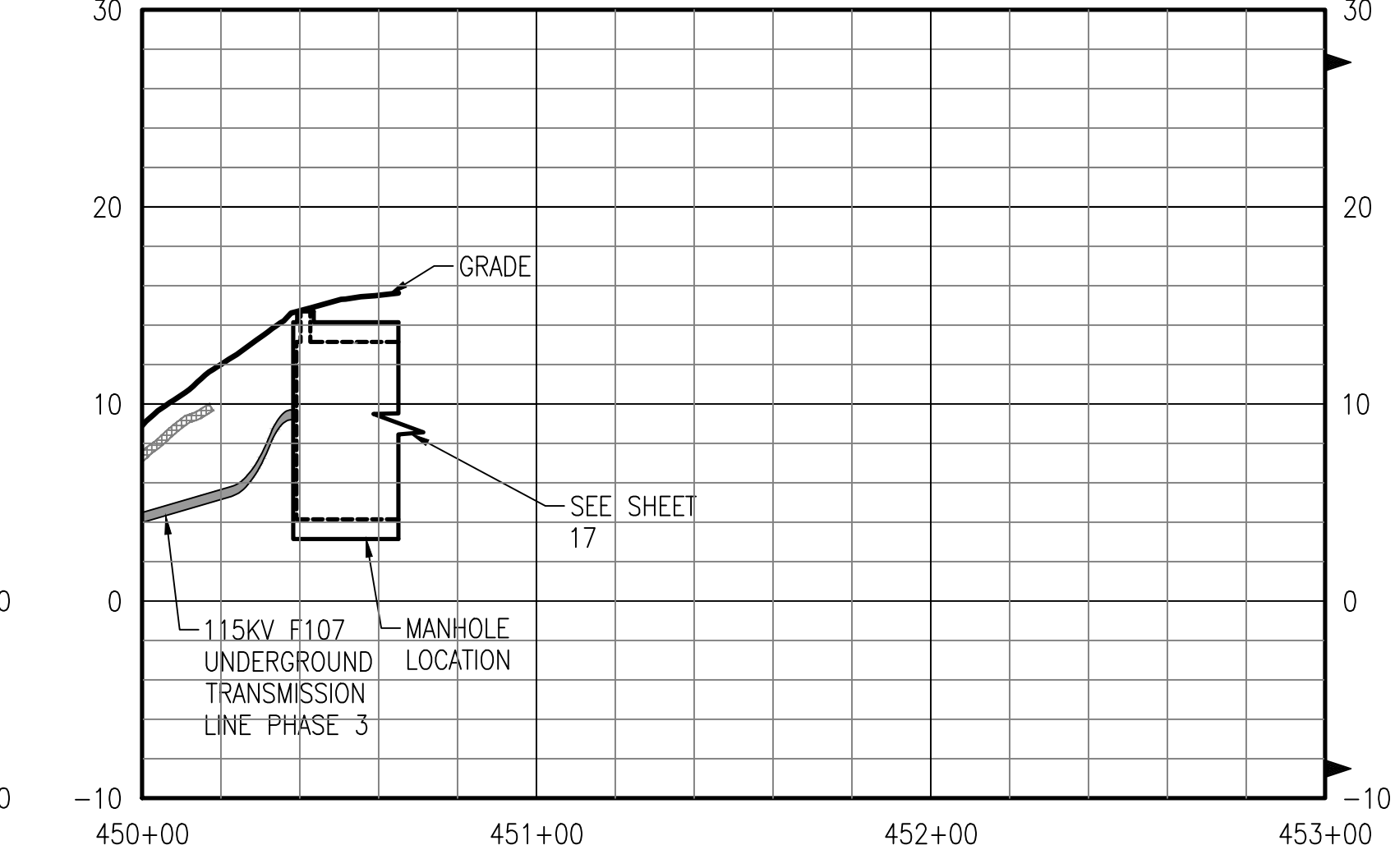
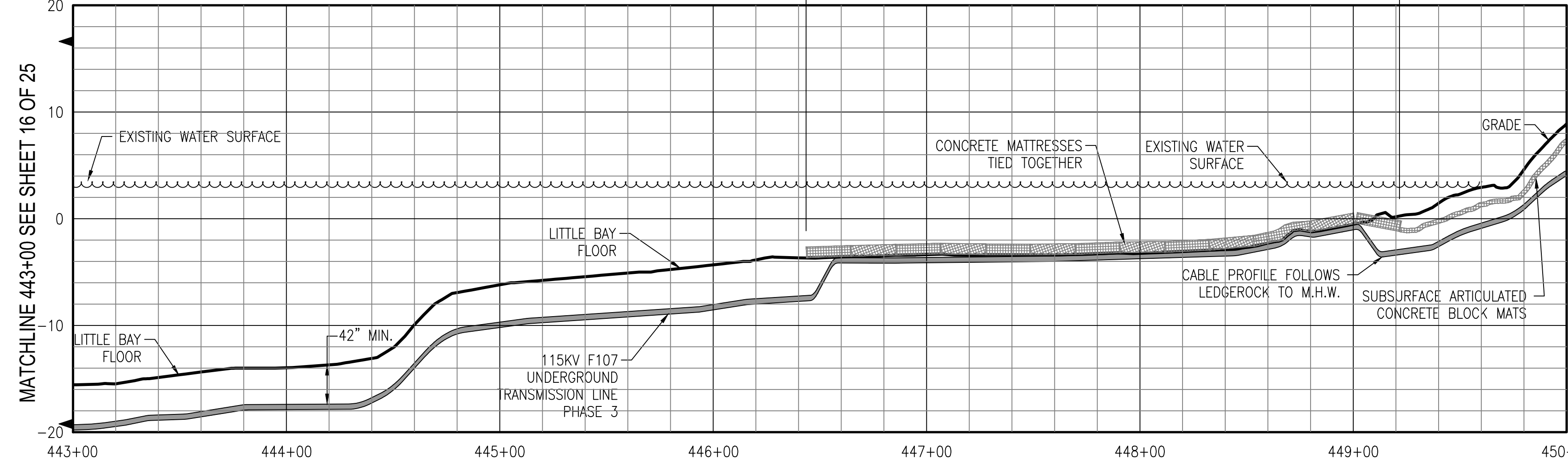
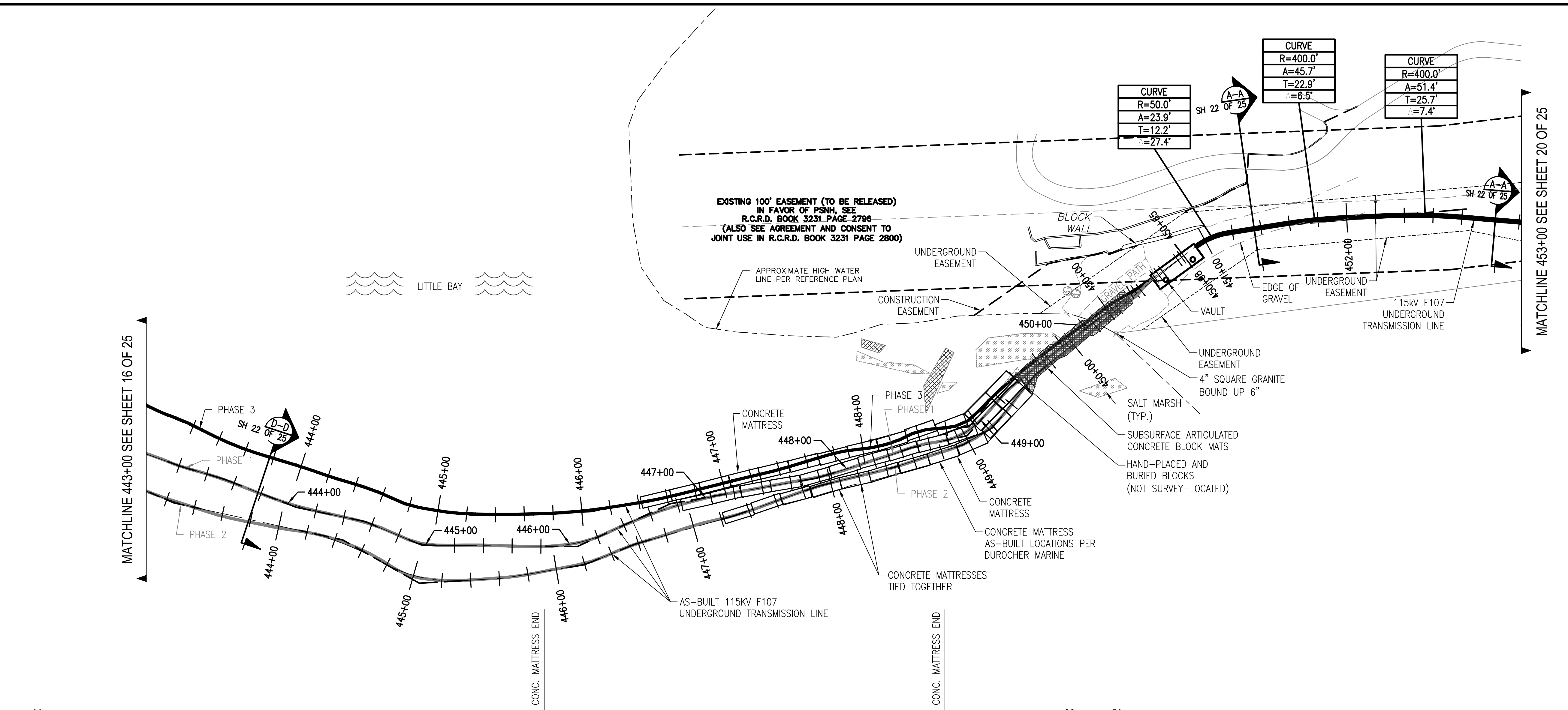
EVERSOURCE ENERGY

T 4
 DATE: 3/7/2019
 SCALE: H: 1"=40', V: 1"=8'
 DISCIPLINE/SHT NO.
 SHEET 18 OF 25
 F10743003



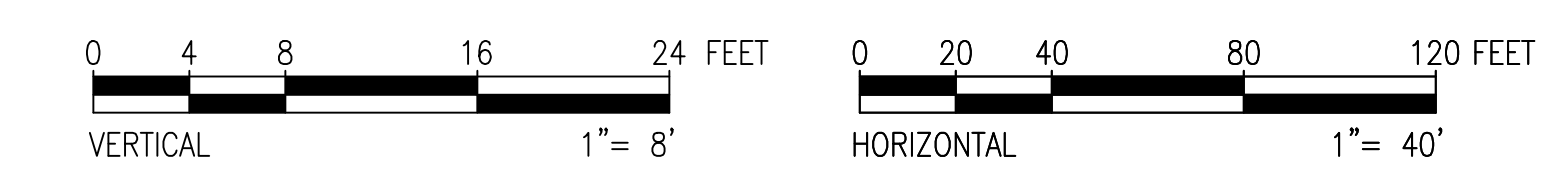
6/11/2020 9:41 AM - pmagon - Z:\Projects\133007\DD\DWG\09 Final CADD Files\To EVERSOURCE\As-Built\Little Bay (F10743003)\REV 4\F10743003.dwg - 19

ES VER. 11/2015



MATCHLINE 443+00 SEE SHEET 16 OF 25

MATCHLINE 453+00 SEE SHEET 20 OF 25



PRINT DRAWING TO SCALE ON 22"x34" SHEET

811
 Know what's below.
 Call before you dig.

THREE BUSINESS DAYS BEFORE YOU DIG CALL
 NEW HAMPSHIRE DIG SAFE SYSTEM, INC.
 TOLL FREE
 1-888-344-7233



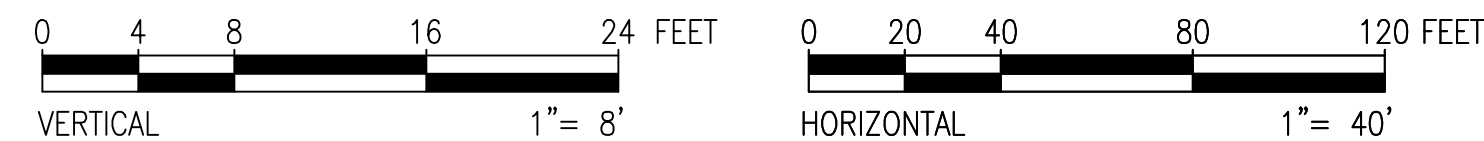
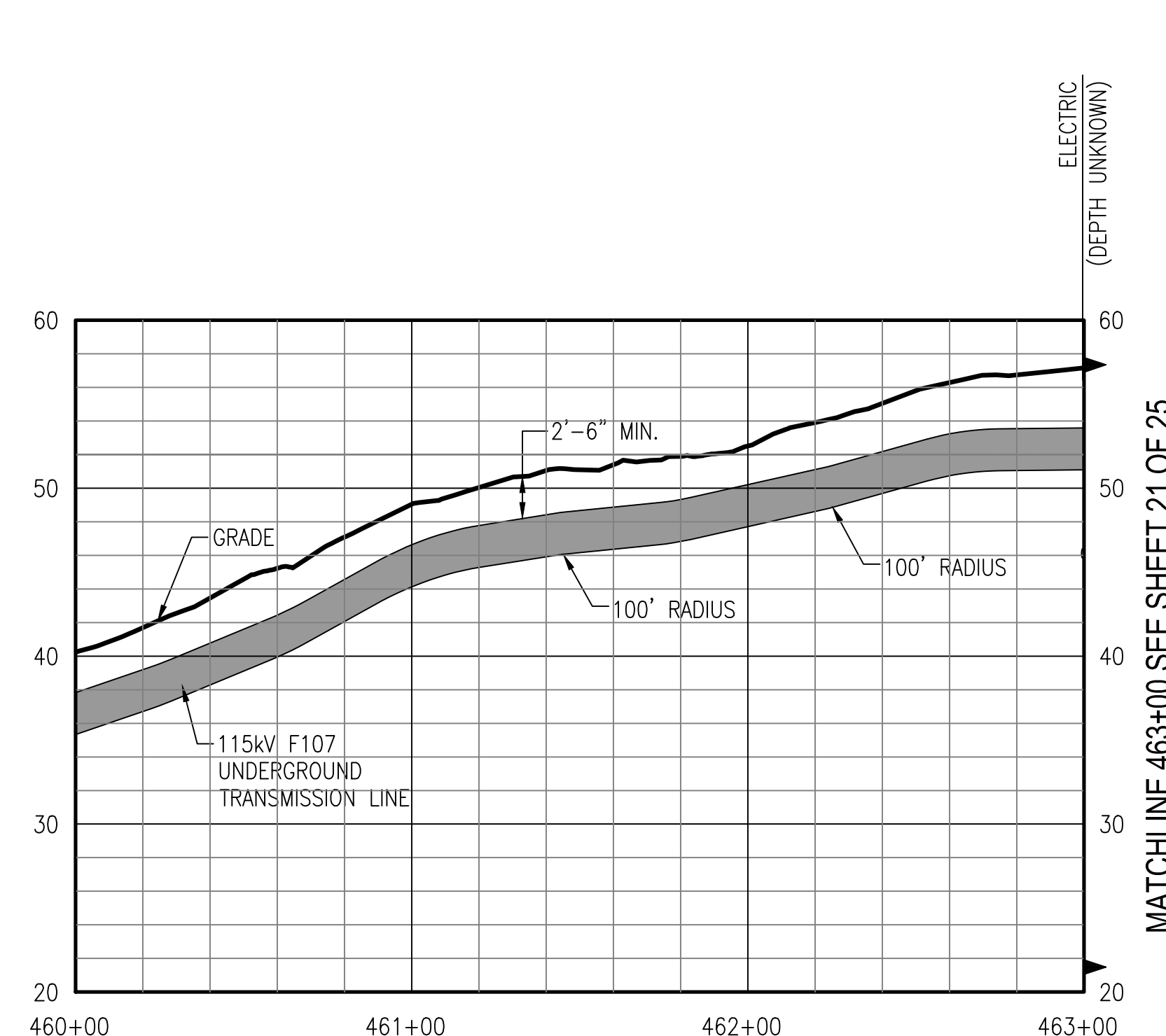
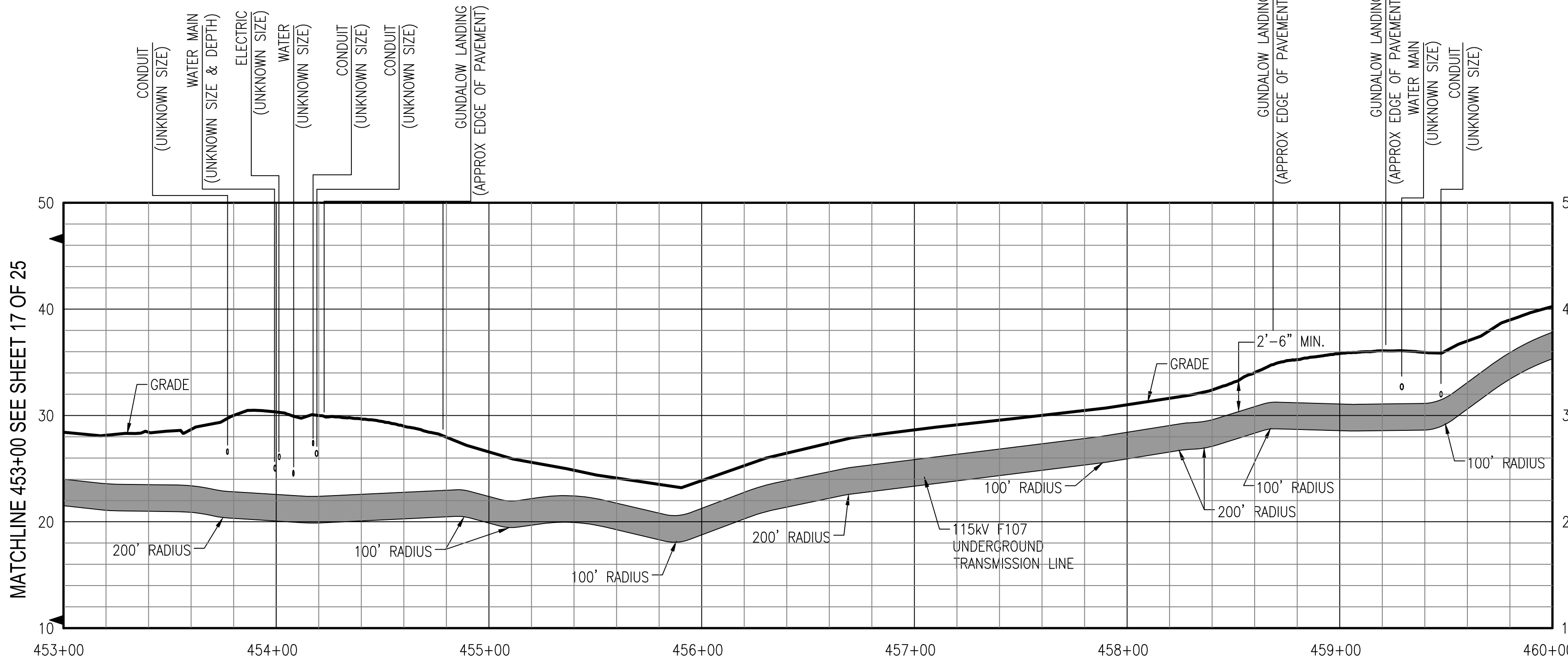
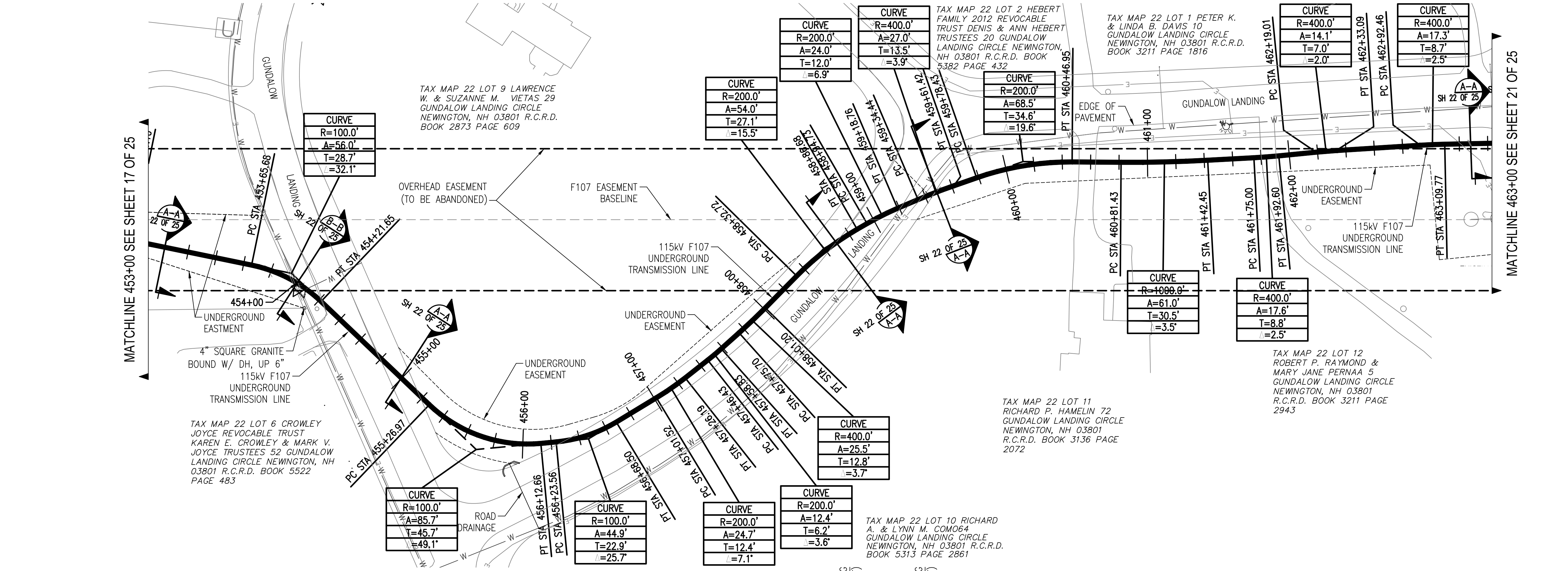
NO.	REVISION	DATE	BY	CHKD	APPRV.
1	ISSUE FOR CONSTRUCTION	05/11/19	RSB	RSB	RSB
2	REV. FOR FIELD CHANGES	05/22/19	RSB	RSB	RSB
3	REV. FOR FIELD CHANGES	05/22/19	RSB	RSB	RSB
4	ISSUE FOR RECORD	05/11/20	PCW	PCW	TSG

EVERSOURCE
 ENERGY

CIRCUIT F107 115KV
 UNDERGROUND TRANSMISSION LINE
 PLAN AND PROFILE VIEW
 DATE: 5/7/2019
 SCALE: H: 1"=40', V: 1"=8'

DES: REO
 CHK: TSG
 DRW: REO
 APR: TSG

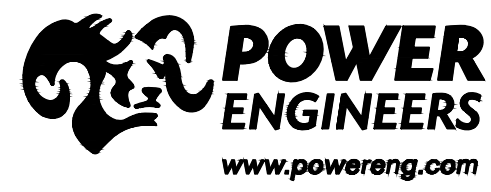
TOWN: NEWINGTON
 TRANSMISSION LINE: LINE
 MILE NO: 8 & 9
 DISCIPLINE/SHT NO. SHEET 19 OF 25
 F10743003



PRINT DRAWING TO SCALE ON 22"x34" SHEET

811
 Know what's below.
 Call before you dig.

THREE BUSINESS DAYS BEFORE YOU DIG CALL
 NEW HAMPSHIRE DIG SAFE SYSTEM, INC.
 TOLL FREE
 1-888-344-7233

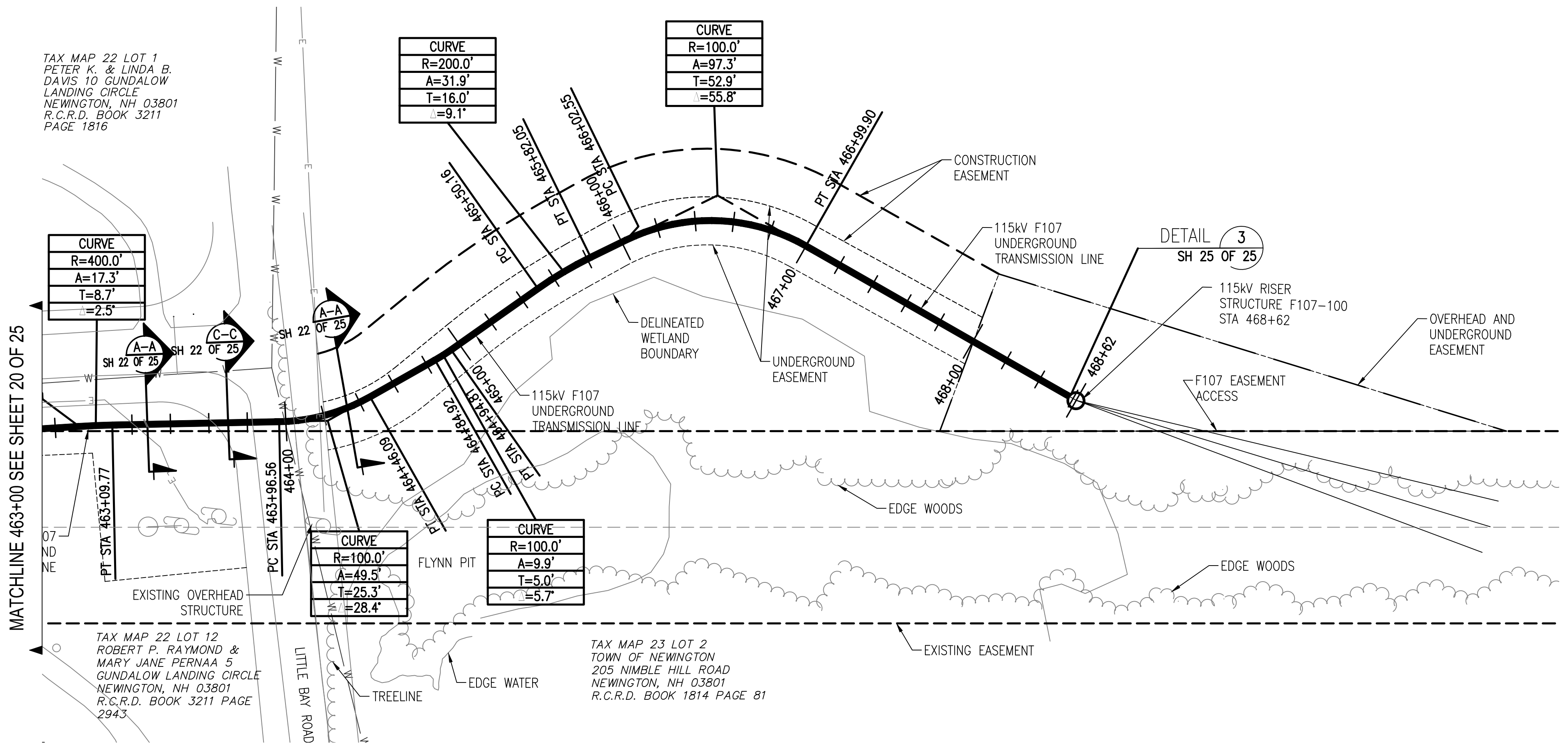


NO.	REVISION	DATE	BY	CHKD	APPR.
1	ISSUE FOR CONSTRUCTION	05/11/19	MS	MS	MS
2	REVISED PER PLAN	05/22/19	MS	MS	MS
3	REVISED PER PLAN	05/22/19	MS	MS	MS
4	ISSUE FOR RECORD	05/11/20	PCW	MS	MS

EVERSOURCE
 ENERGY

T	4
CIRCUIT F107 115kV UNDERGROUND TRANSMISSION LINE PLAN AND PROFILE VIEW	
DATE: 5/7/2019	
SCALE: H: 1"=40', V: 1"=8'	
TOWN: NEWINGTON	
TRANSMISSION LINE: LINE	
MILE NO: 8 & 9	
DISCIPLINE/SHT NO.	
SHEET 20 OF 25	
F10743003	

6/11/2020 9:41 AM - pmogoon - Z:\Projects\133007\DD\DWG\09 Final CAD Files\EVERSOURCE\as-Built\Little Bay (F10743003)\REV 4\F10743003.dwg - 21 ES MER 11/2015



MATCHLINE 463+00 SEE SHEET 20 OF 25

MATCHLINE 463+00 SEE SHEET 20 OF 25

MATCHLINE 463+00 SEE SHEET 20 OF 25

463+00

464+00

465+00

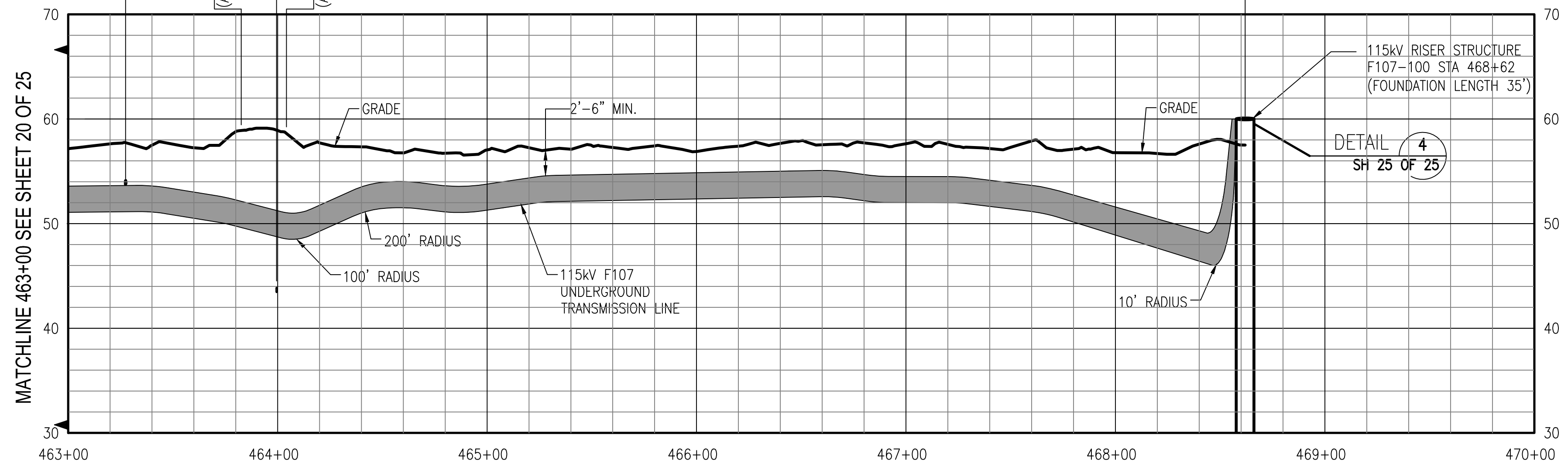
466+00

467+00

468+00

469+00

470+00



MATCHLINE 463+00 SEE SHEET 20 OF 25

463+00

464+00

465+00

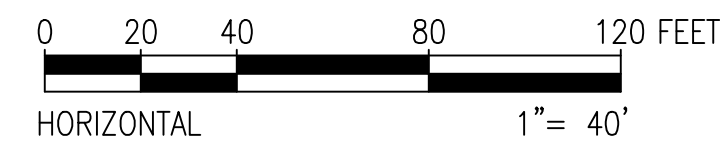
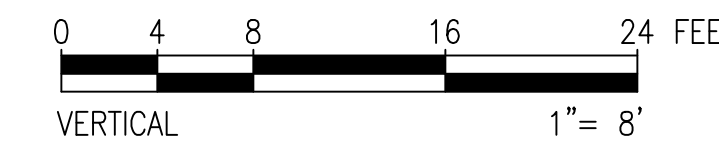
466+00

467+00

468+00

469+00

470+00



PRINT DRAWING TO SCALE ON 22"x34" SHEET

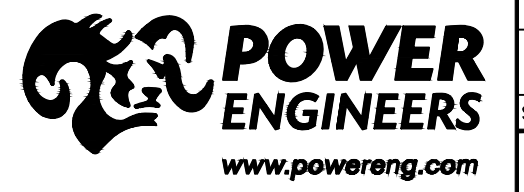
811
 Know what's below.
 Call before you dig.

THREE BUSINESS DAYS BEFORE YOU DIG CALL
 NEW HAMPSHIRE DIG SAFE SYSTEM, INC.
 TOLL FREE
 1-888-344-7233

NO.	REVISION	DATE	BY	CHKD	APPRV.
1	ISSUE FOR CONSTRUCTION	05/11/19	TSG		
2	REVISED TRANSMISSION ALIGNMENT	05/23/19	TSG		
3	REVISED TRANSMISSION ALIGNMENT	05/23/19	TSG		
4	ISSUE FOR RECORD	05/11/20	PCW		

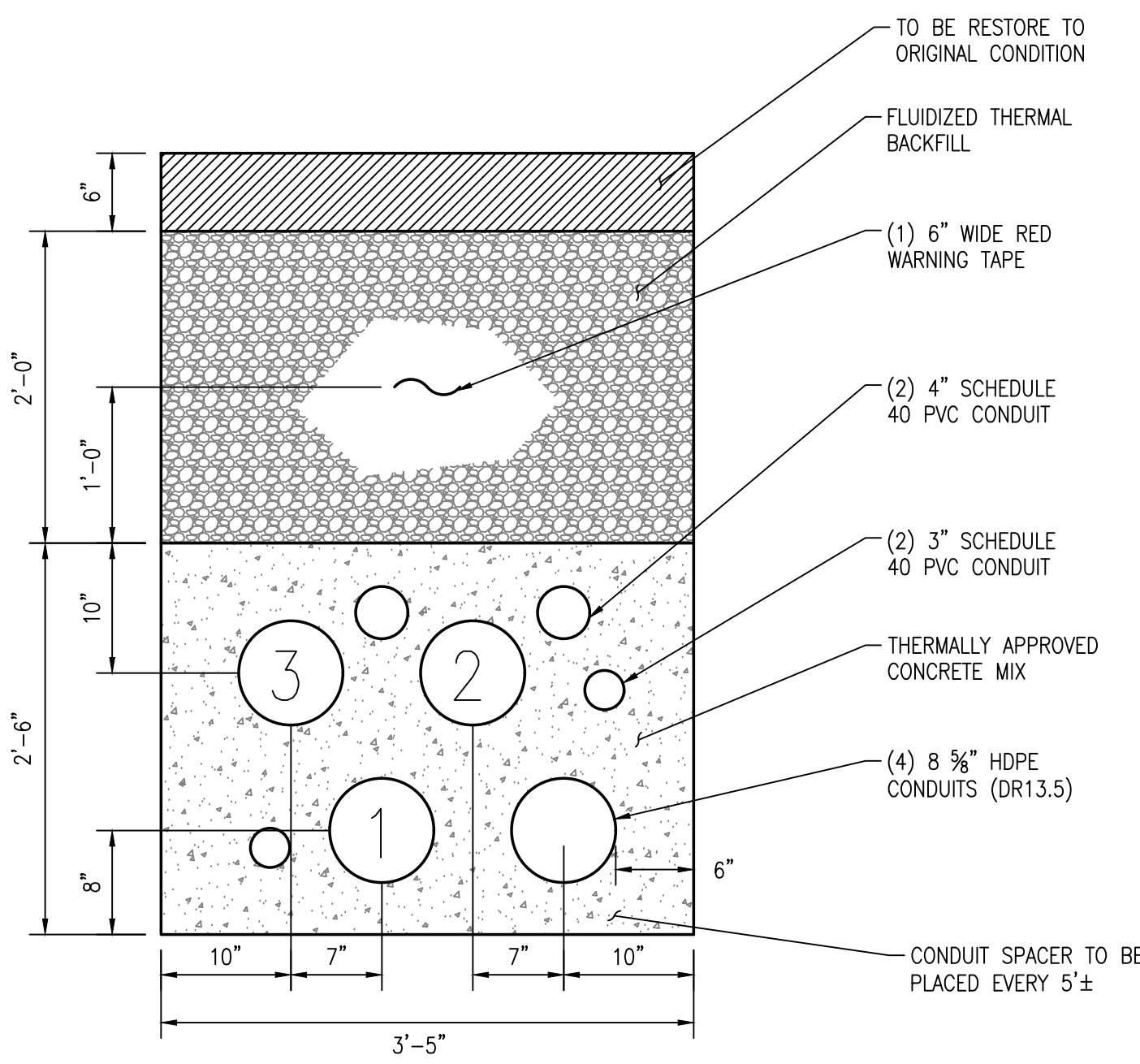
EVERSOURCE
 ENERGY

T	4
CIRCUIT F107 115KV UNDERGROUND TRANSMISSION LINE PLAN AND PROFILE VIEW	
DATE: 3/7/2019	
SCALE: H: 1"=40', V: 1"=8'	
TOWN: NEWINGTON	
TRANSMISSION LINE: LINE	
MILE NO: 8 & 9	
DISCIPLINE/SHT NO. SHEET 21 OF 25	
F10743003	

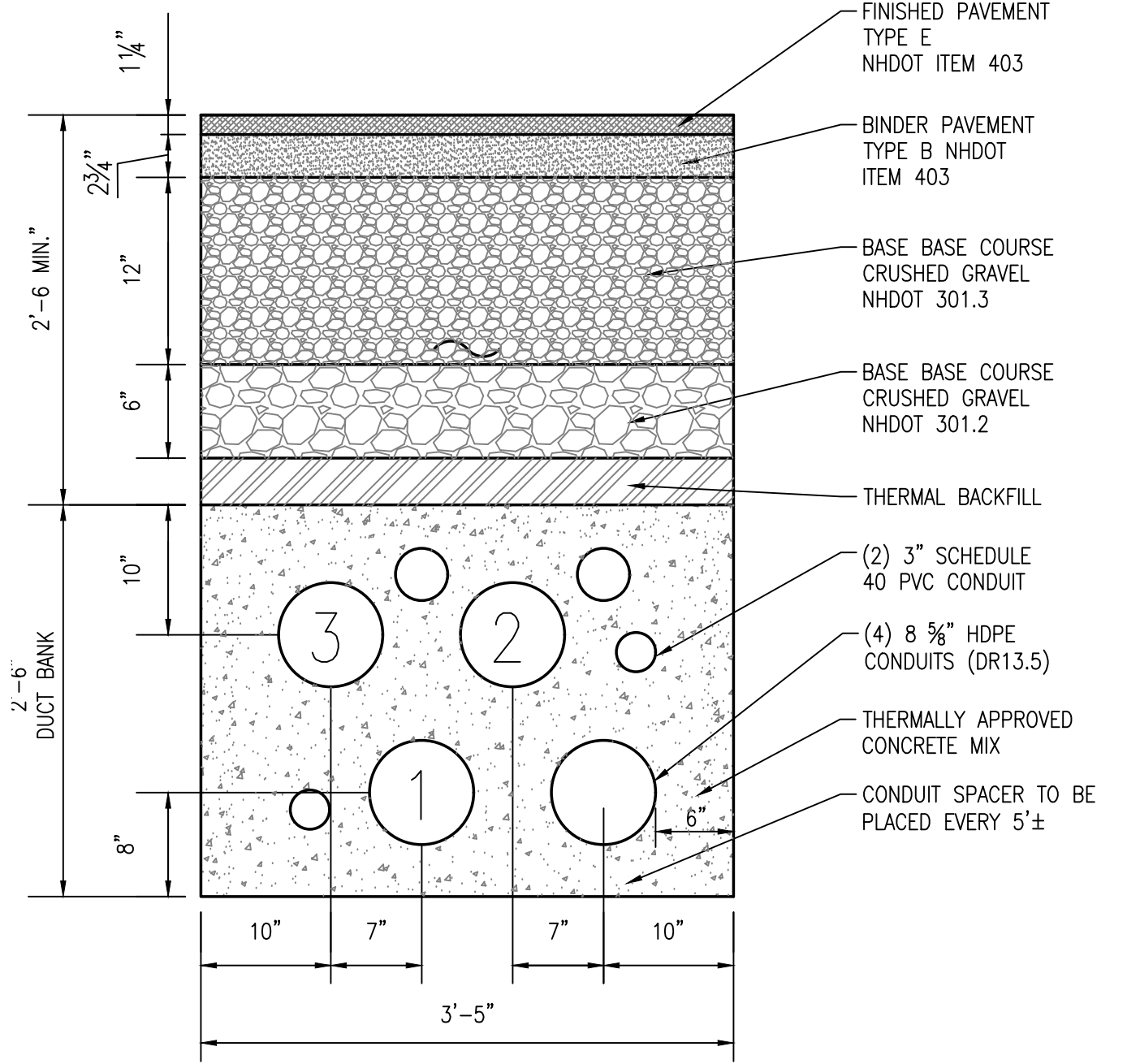


6/11/2020 9:41 AM - pmagon - Z:\Projects\133007\DD\DWG\09 Final CAD Files\To EVERSOURCE\As-Built\Little Bay (F10743003)\REV 4\F10743003.dwg - 22

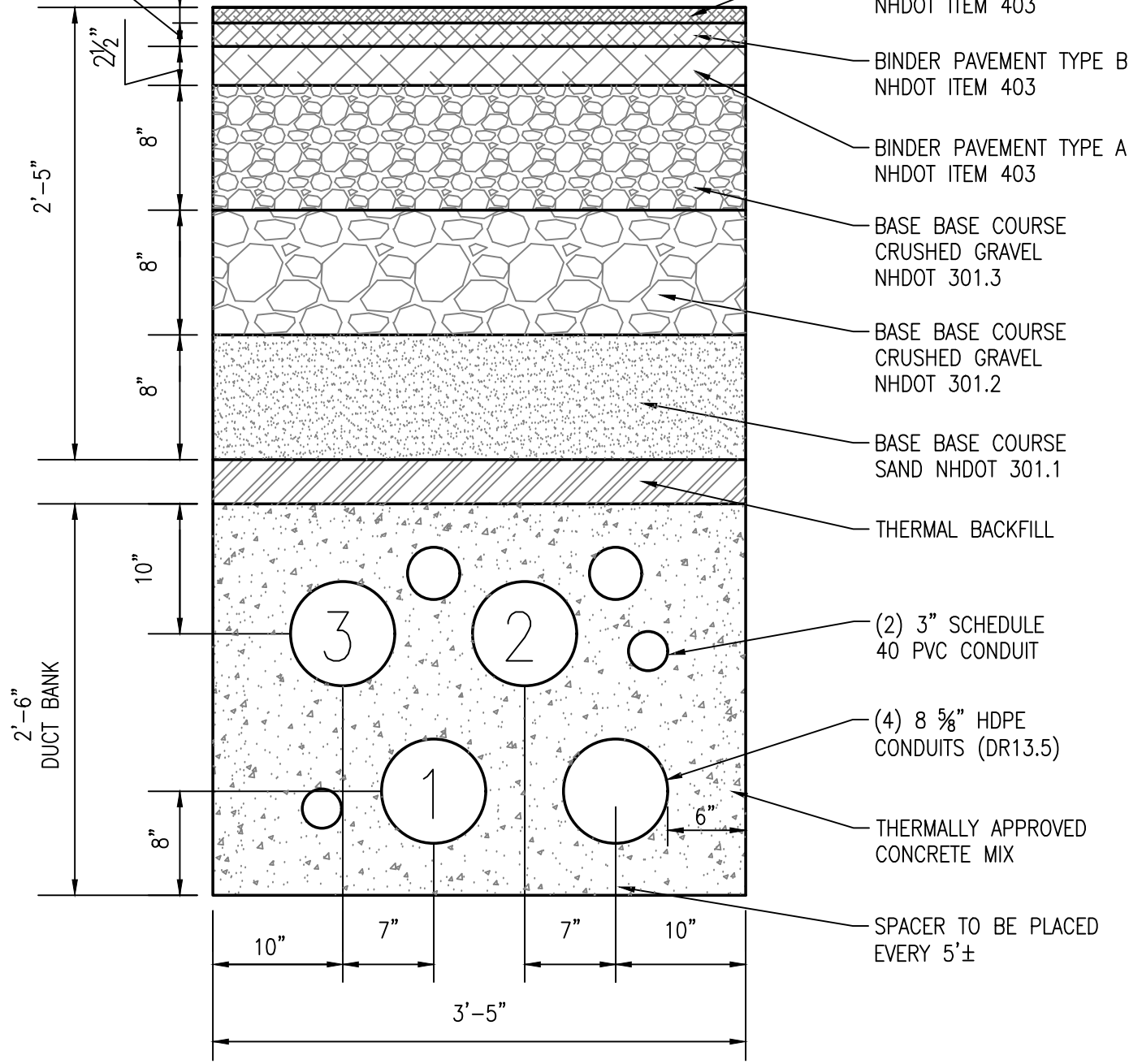
ES VER. 11/2015



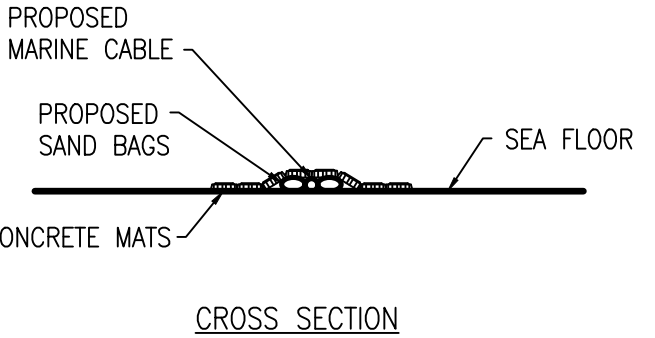
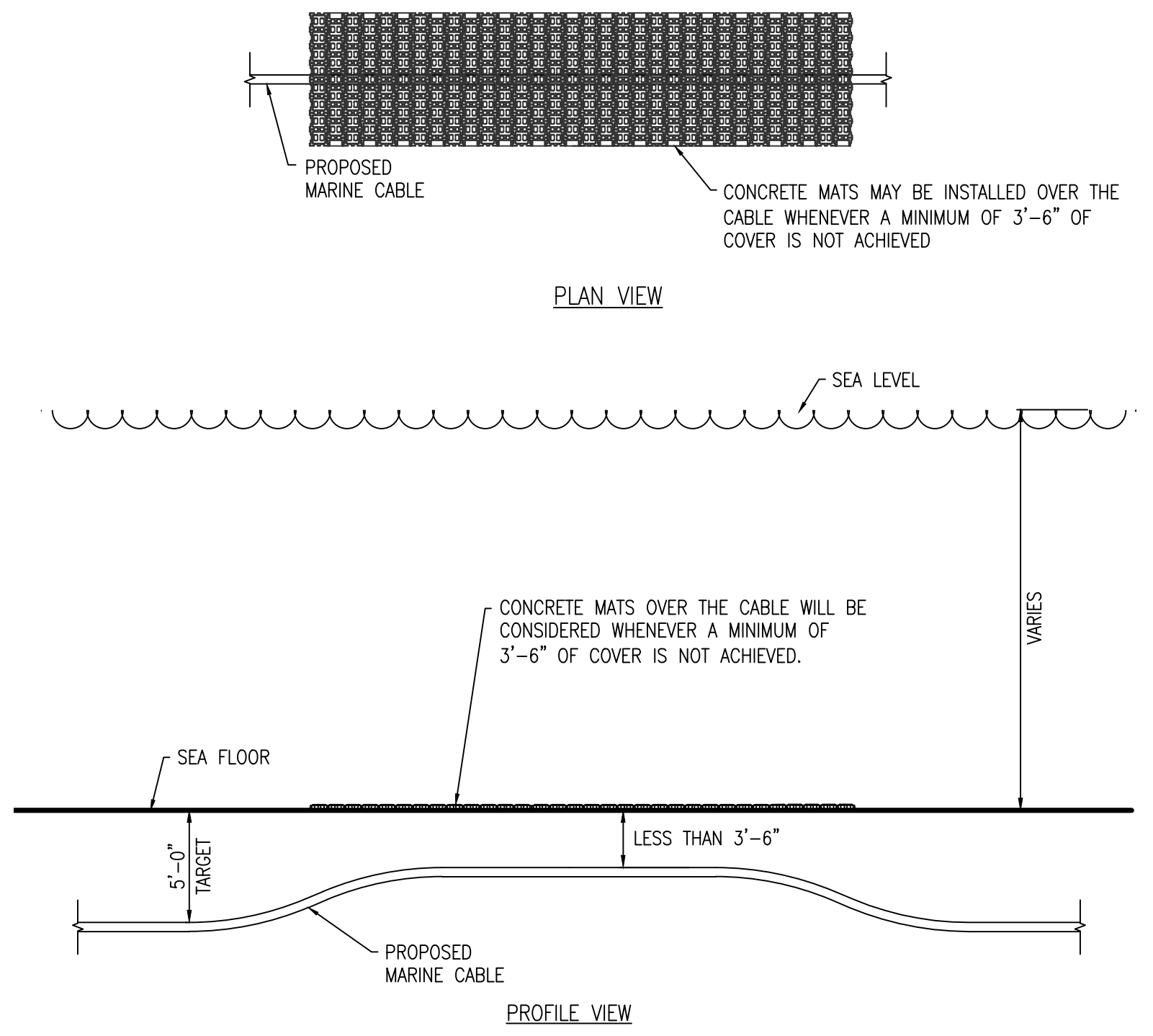
TYP TRENCH DETAIL SECTION A-A
SCALE N.T.S. SH 22 OF 25



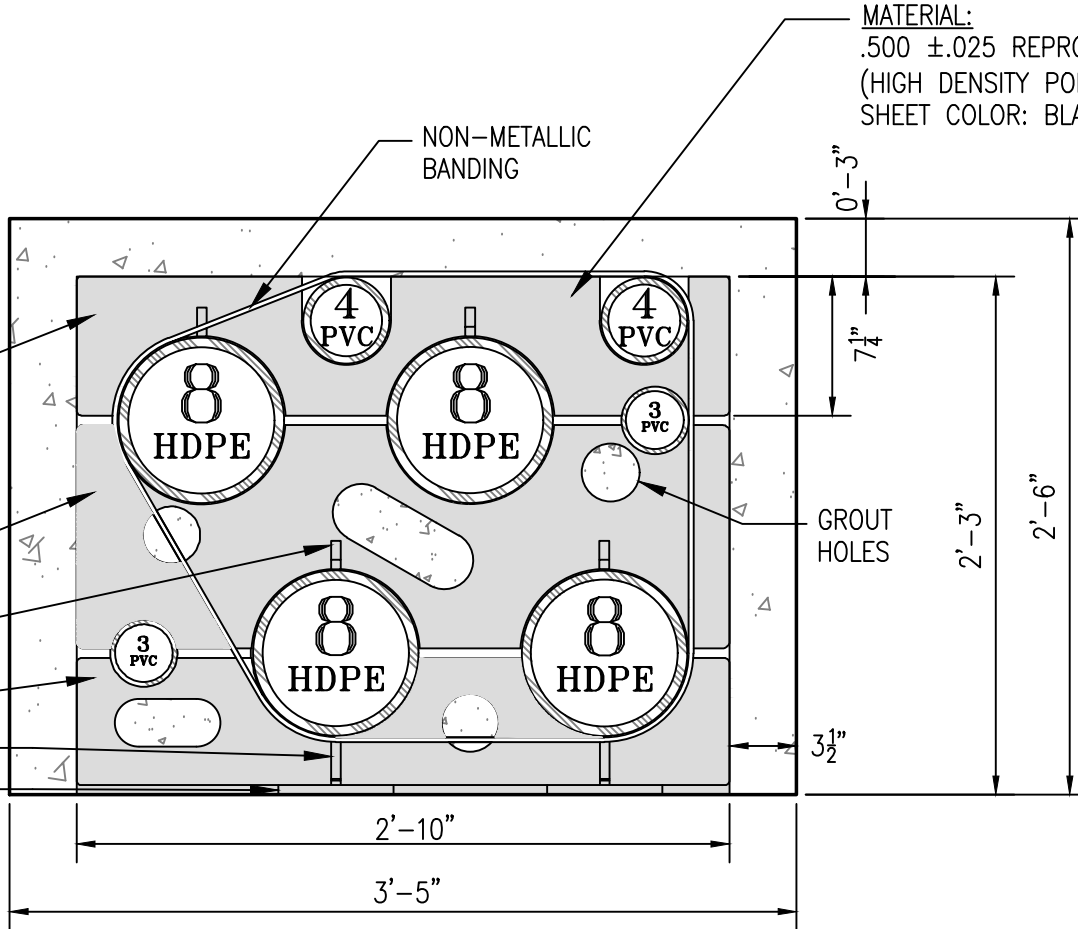
RESIDENTIAL ROAD CROSSING SECTION B-B
SCALE N.T.S. SH 22 OF 25



NON RESIDENTIAL ROAD CROSSING SECTION C-C
SCALE N.T.S. SH 22 OF 25

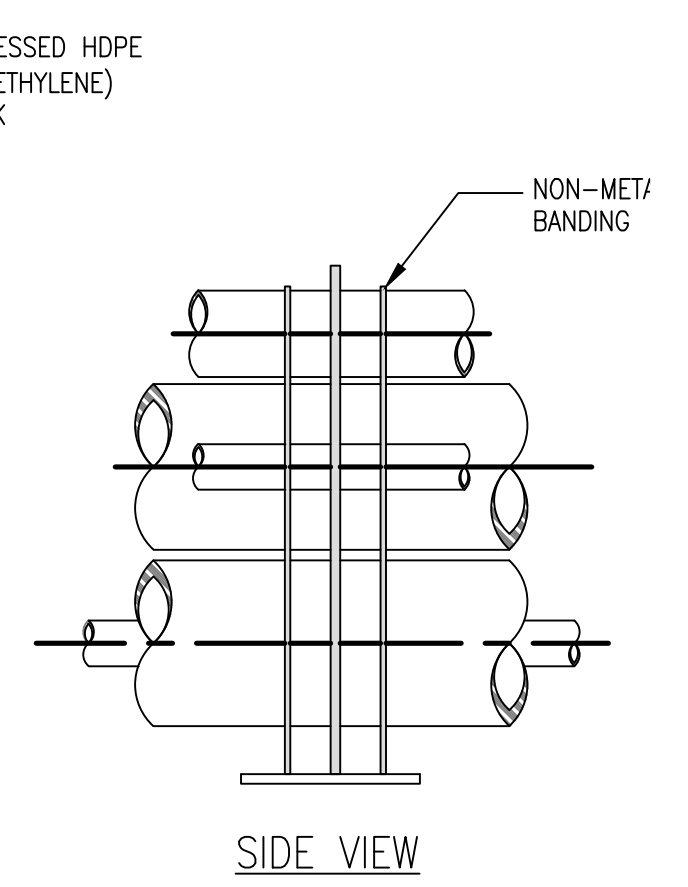


CROSS SECTION
SCALE N.T.S. SH 22 OF 25

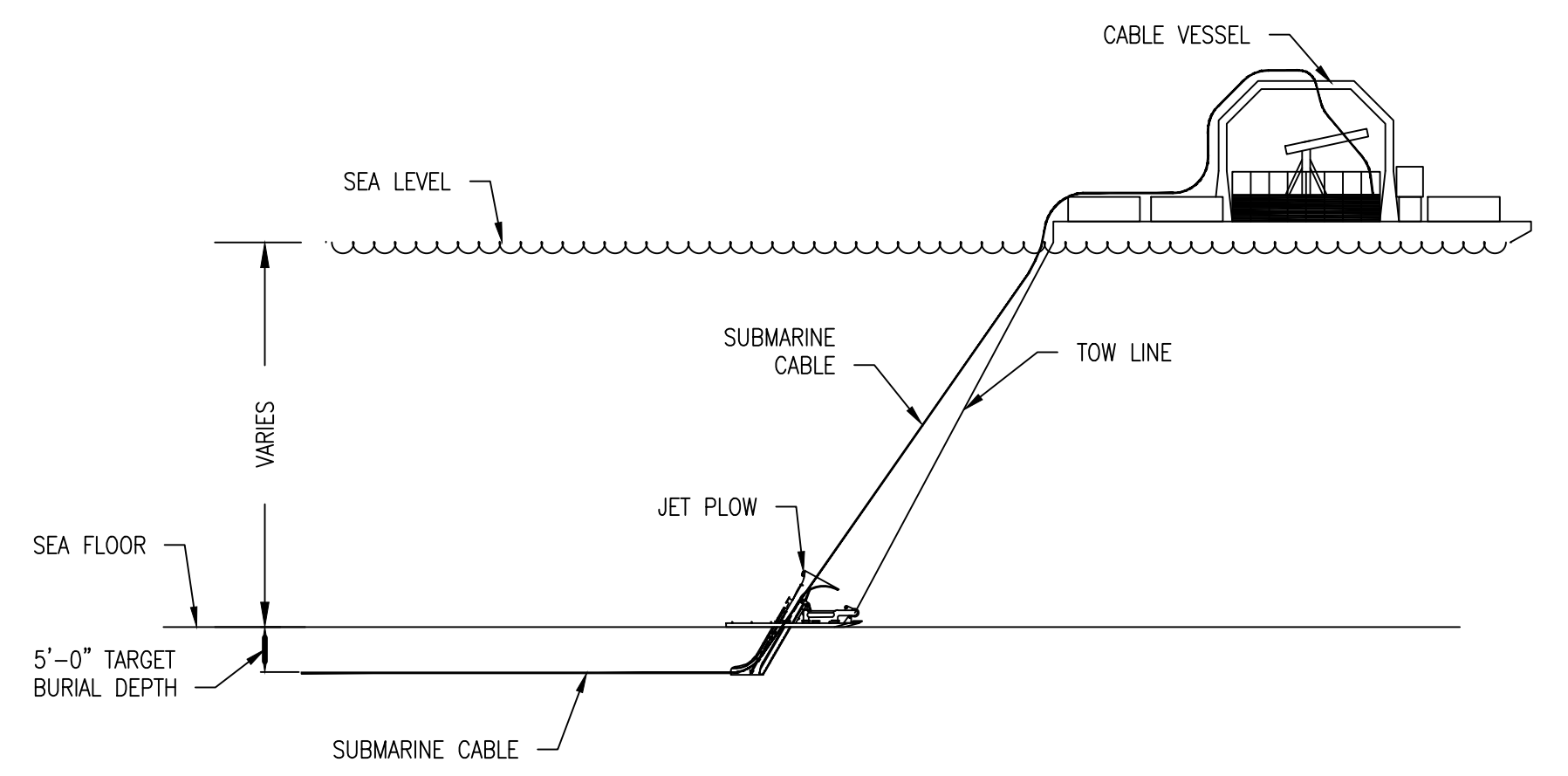


FRONT VIEW
ADVANCED PRODUCTS AND SPACERS, LLC SPACER ARRANGEMENT DETAIL
SCALE N.T.S. SH 22 OF 25

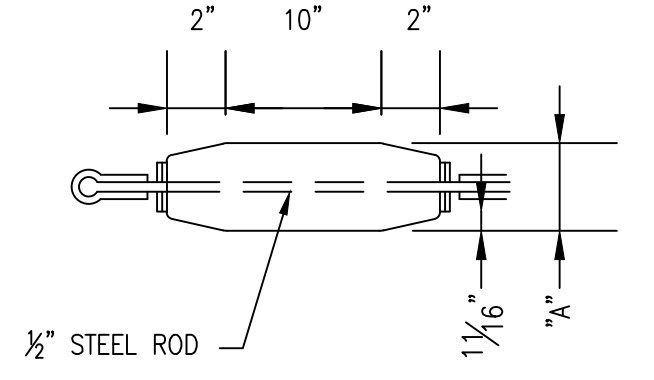
- NOTES:
1. STAGGER BELL ENDS.
 2. AVOID STANDING ON CONDUIT.
 3. ALL TRENCH DETAILS AND PHASING SHOWN AS LOOKING AHEAD STATIONS.
 4. ALL DUCT SPACERS ARE ADVANCE PRODUCTS & SYSTEMS, LLC.
 5. SEPARATION SHOWN IS TYPICAL SPACING IN TRENCH EXCAVATION AREAS. SEE PLAN DETAILS FOR SEPARATION AT OTHER LOCATIONS.



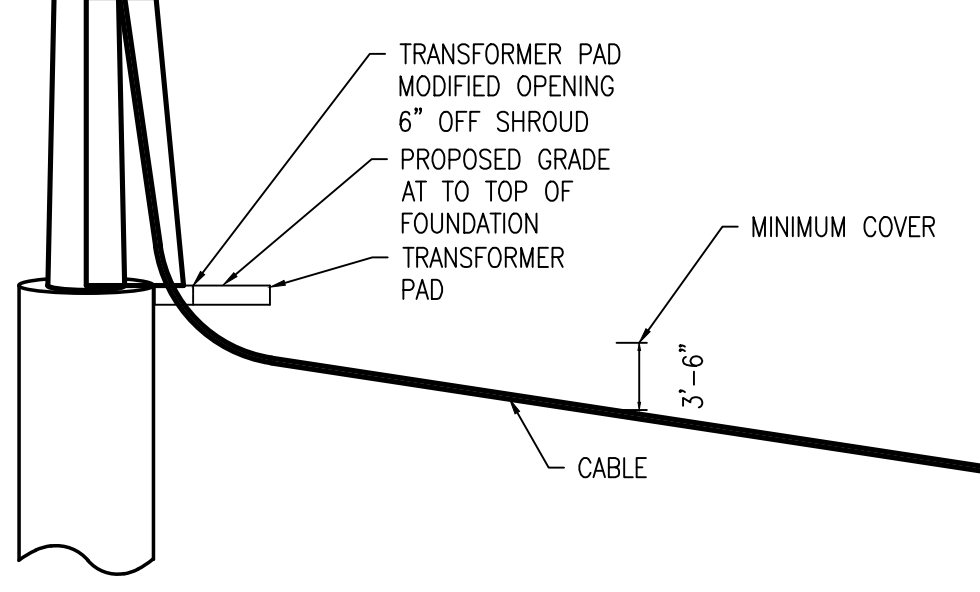
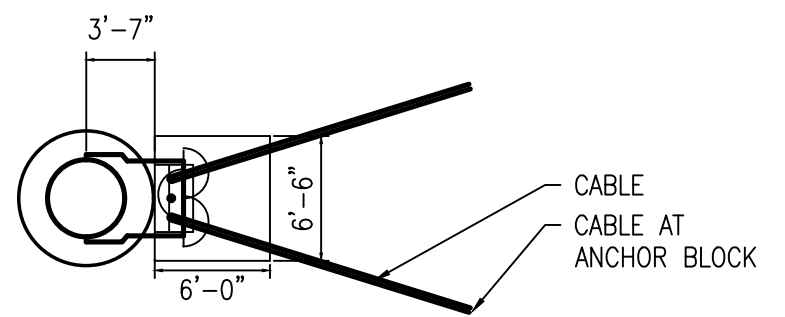
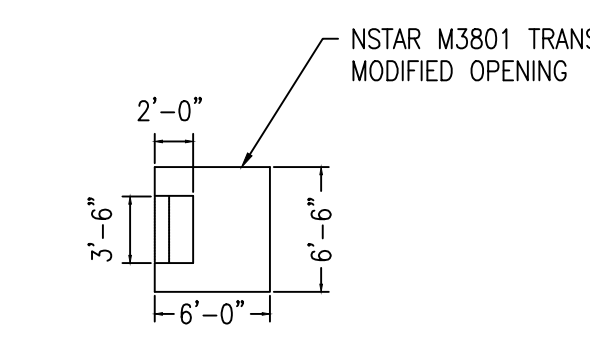
SIDE VIEW



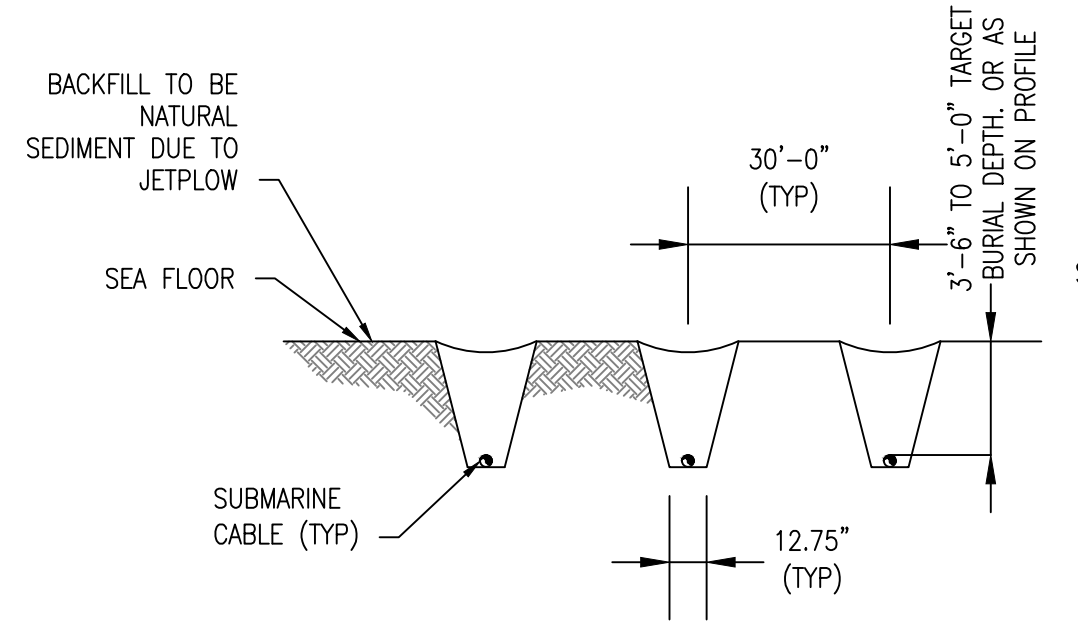
TYP SUBMARINE ELEVATION DETAIL
SCALE N.T.S. SH 22 OF 25



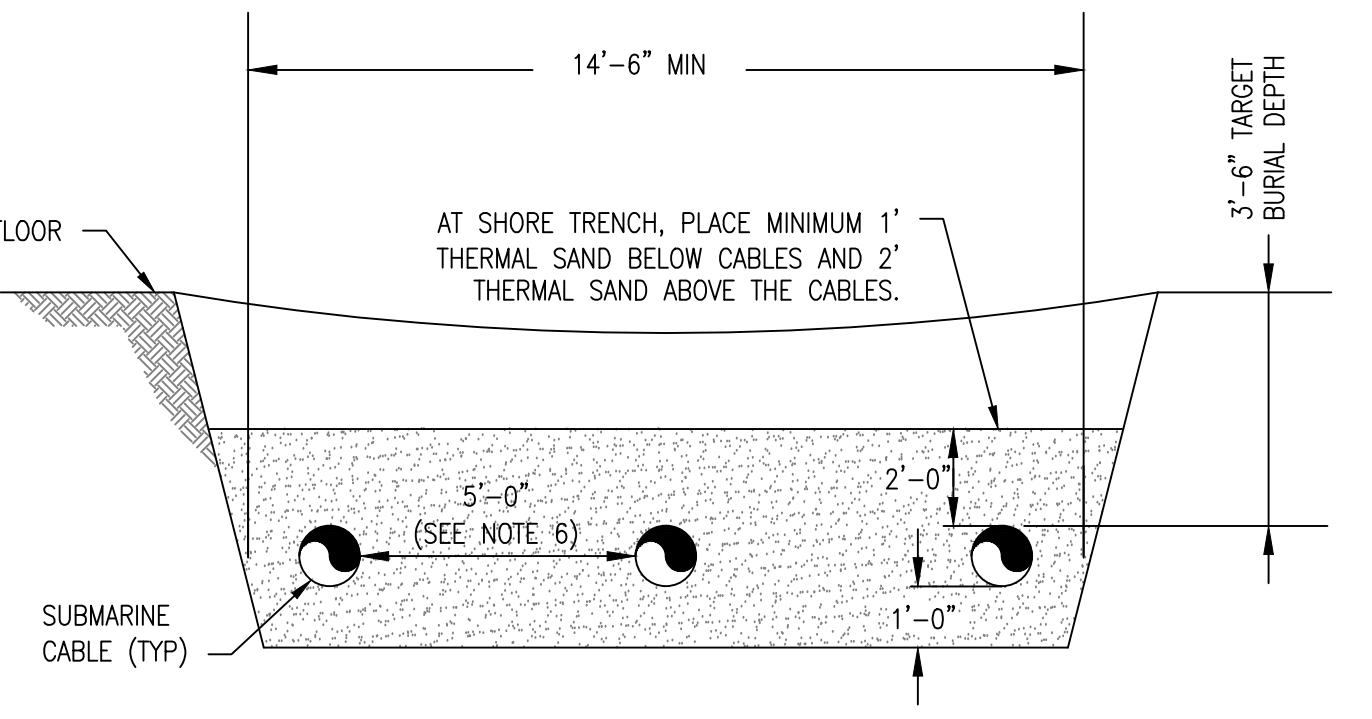
TYP MANDREL DETAIL
SCALE N.T.S. SH 22 OF 25



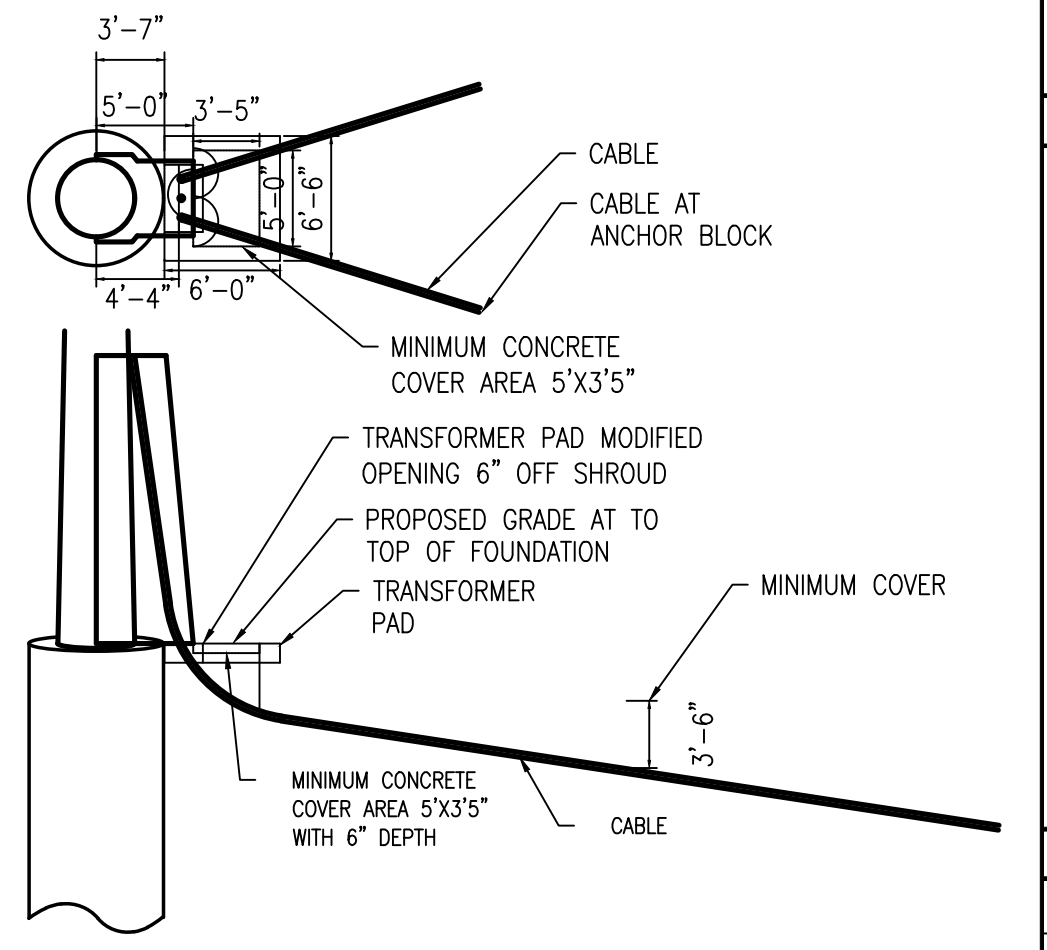
F107-99 RISER STRUCTURE DETAIL
SCALE N.T.S. SH 22 OF 25



TYP SUBMARINE JET PLOW SECTION
SCALE N.T.S. SH 22 OF 25



TYP SUBMARINE TRENCH SECTION
SCALE N.T.S. SH 22 OF 25

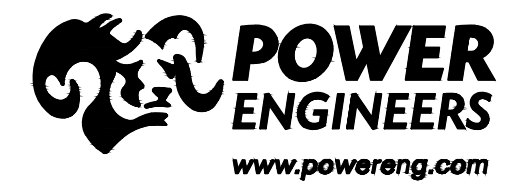


CONCRETE MATTING FOR SHALLOW PENETRATION DETAIL
SCALE N.T.S. SH 22 OF 25

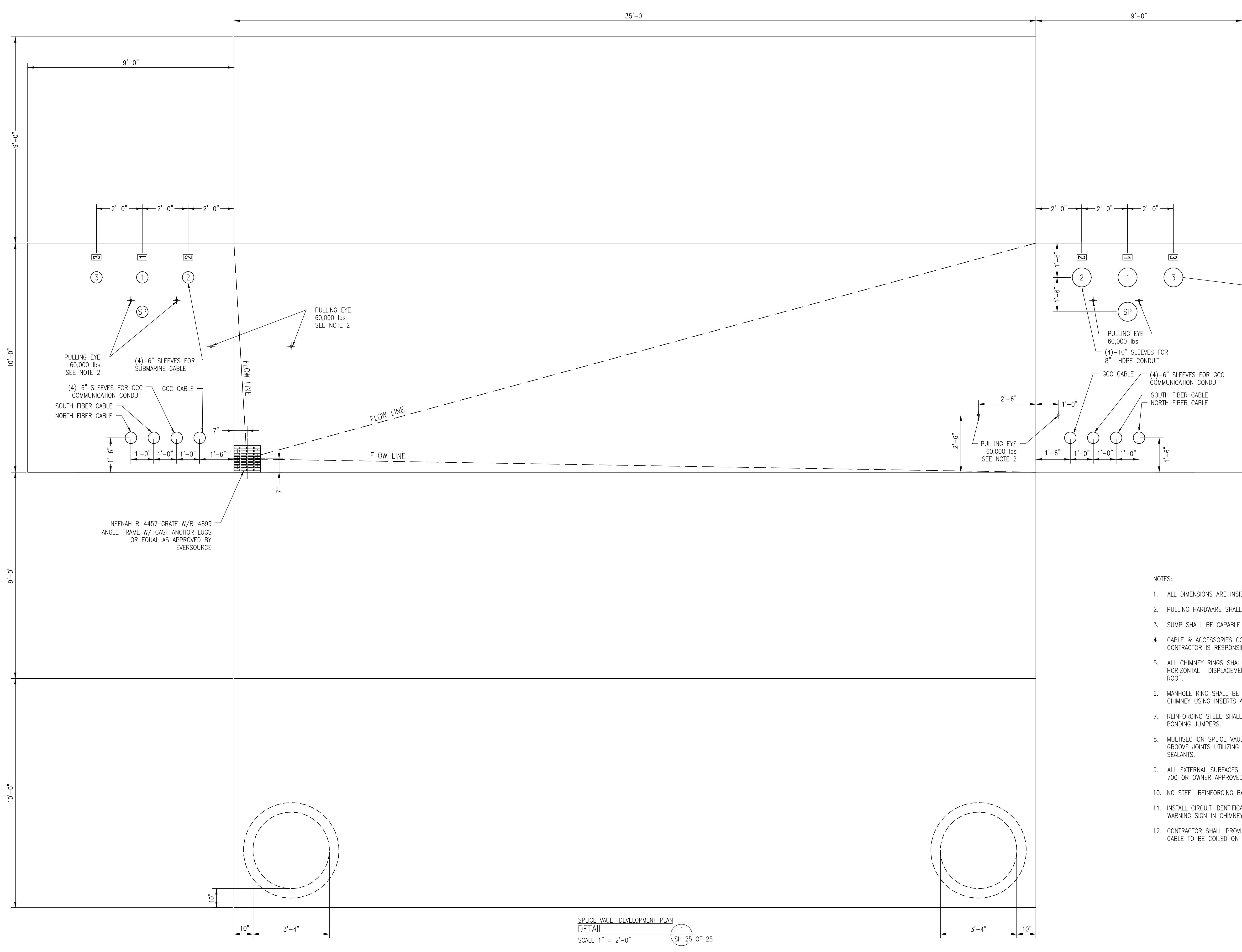
NO.	REVISION	DATE	BY	CHKD	APPR.
1	ISSUE FOR CONSTRUCTION	05-11-18	TSG		
2	ISSUE FOR RESIDENTIAL	05-28-20	PCM		
3	ISSUE FOR RESIDENTIAL	06-11-20	PCM		
4	ISSUE FOR RESIDENTIAL	06-11-20	TSG		

EVERSOURCE
ENERGY

CIRCUIT F107 115KV UNDERGROUND TRANSMISSION LINE TRENCH AND JET PLOW DETAILS
DATE: 3/1/2019
SCALE: N.T.S.
DES: REO CHK: TSG
DRW: REO APR: TSG
TOWN: DURHAM & NEWINGTON
TRANSMISSION LINE: LINE
MILE NO: 8 & 9
DISCIPLINE/SHT NO.
SHEET 22 OF 25
F10743003

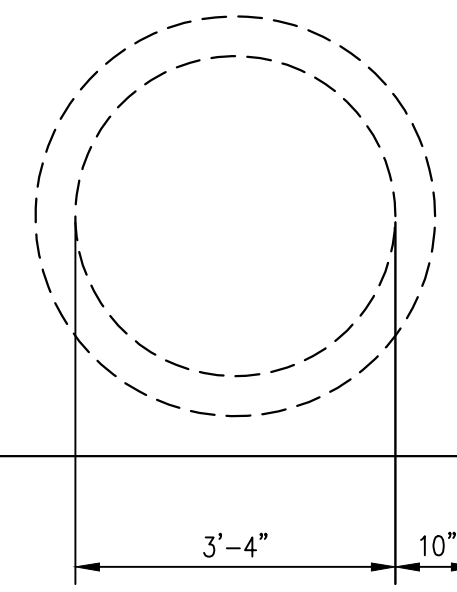
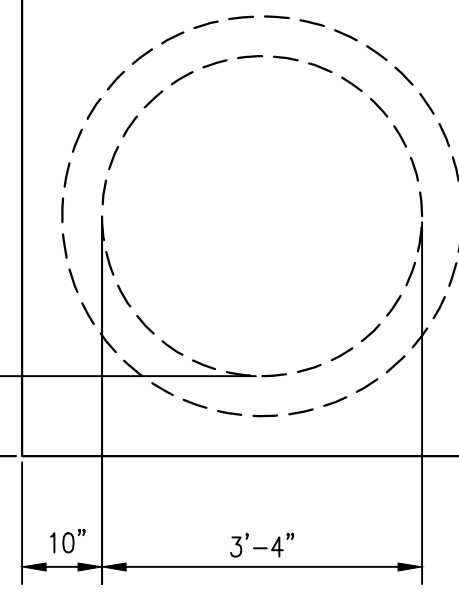


PRINT DRAWING TO SCALE ON 22"x34" SHEET



DETAIL 2
SH 25 OF 25

- NOTES:
1. ALL DIMENSIONS ARE INSIDE DIMENSIONS.
 2. PULLING HARDWARE SHALL BE GOOD FOR 60,000lbs OF TENSION, MINIMUM.
 3. SUMP SHALL BE CAPABLE OF HANDLING SUMP PUMP, MINIMUM 4" DEEP.
 4. CABLE & ACCESSORIES CONTRACTOR TO FIELD VERIFY ACTUAL SPLICE VAULT DEPTHS. CONTRACTOR IS RESPONSIBLE FOR ALL SAFETY & ENTRY/EXIT REQUIREMENTS.
 5. ALL CHIMNEY RINGS SHALL BE MORTARED OR OTHERWISE "KEYED" TO PREVENT HORIZONTAL DISPLACEMENT AND SHALL BE SECURELY MORTARED TO SPLICE VAULT ROOF.
 6. MANHOLE RING SHALL BE SECURELY FASTENED TO THE SPLICE VAULT ROOF OR CHIMNEY USING INSERTS AND BOLTS OR OTHER MEANS WITH PRIOR APPROVAL.
 7. REINFORCING STEEL SHALL BE BONDED TO 500kcmil SOFT DRAWN BARE COPPER BONDING JUMPERS.
 8. MULTISECTION SPLICE VAULTS SHALL INCORPORATE EITHER SHIPLAP OR TONGUE AND GROOVE JOINTS UTILIZING APPROPRIATE SILICONE, POLYMERIC OR ELASTOMERIC SEALANTS.
 9. ALL EXTERNAL SURFACES OF VAULT SHALL BE SEALED USING SONNEDORN HYDROCID 700 OR OWNER APPROVED EQUIVALENT.
 10. NO STEEL REINFORCING BAR MAY ENCAPSULATE ANY INDIVIDUAL CONDUIT.
 11. INSTALL CIRCUIT IDENTIFICATION LABELS ON VAULT WALL AND INSTALL DANGER WARNING SIGN IN CHIMNEY.
 12. CONTRACTOR SHALL PROVIDE RACKING FOR 50' OF DYNAMIC TEMPERATURE SENSING CABLE TO BE COILED ON THE WALL OPPOSITE THE CABLE SPLICES.



SPLICE VAULT DEVELOPMENT PLAN
DETAIL
SCALE 1" = 2'-0"
1
SH 25 OF 25

NO.	REVISION	DATE	BY	CHKD	APPR.
1	ISSUE FOR CONSTRUCTION	04/11/19	MM	TZ	AA
2	REV. W/ 1" DIA. GRADE	05/23/19	MM	TZ	AA
3	REV. W/ 1" DIA. GRADE	05/23/19	MM	TZ	AA
4	ISSUE FOR RECORD	06/11/20	MM	TZ	AA

EVERSOURCE
ENERGY

T 4

CIRCUIT F107 115KV
UNDERGROUND TRANSMISSION LINE
SPLICE VAULT DETAIL SHEET
SCALE: N.T.S.
DATE: 3/7/2019

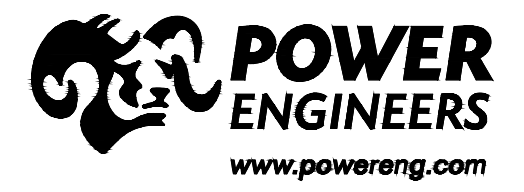
DES. REO: CHK: TSG
DRW. REO: APR: TSG

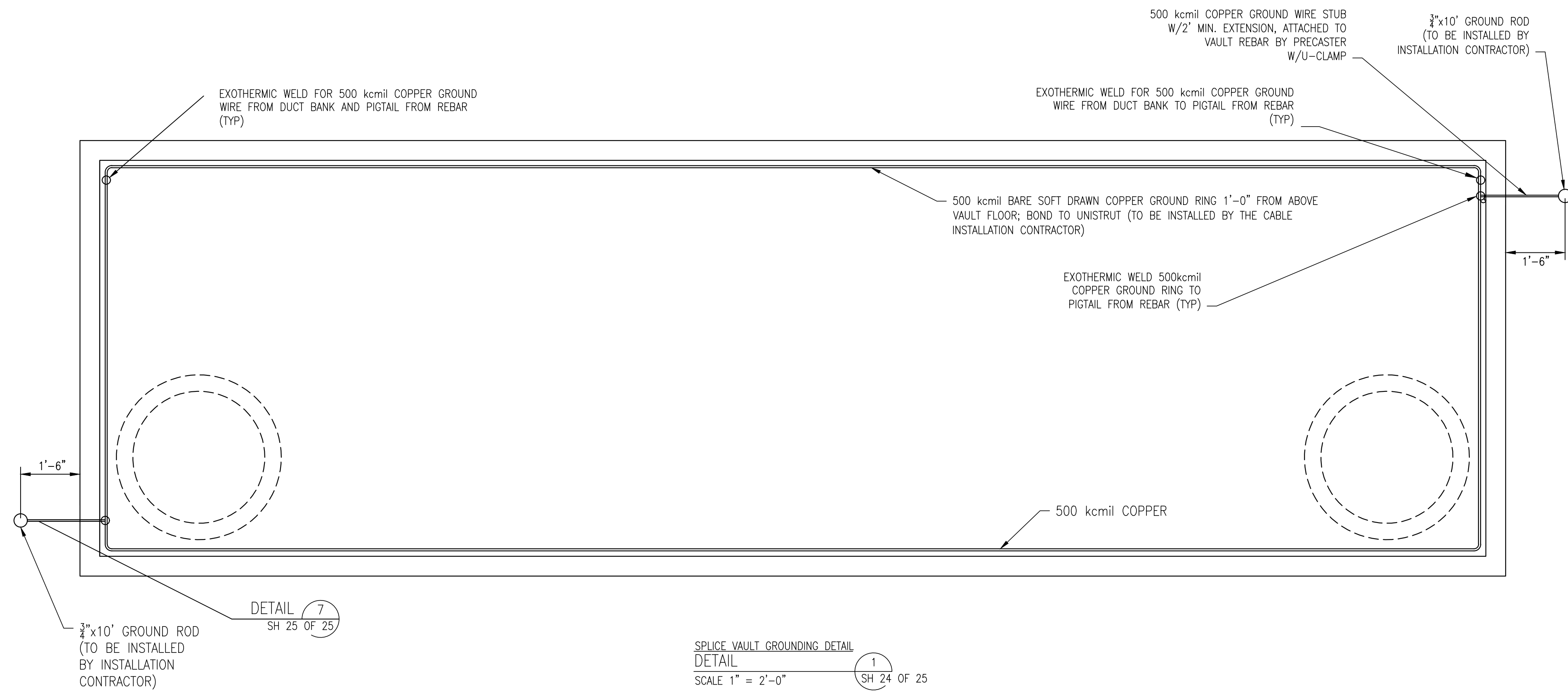
TOWN:
NEWINGTON

TRANSMISSION LINE:
LINE

DISCIPLINE/SHT NO.
MILE NO: 8 & 9

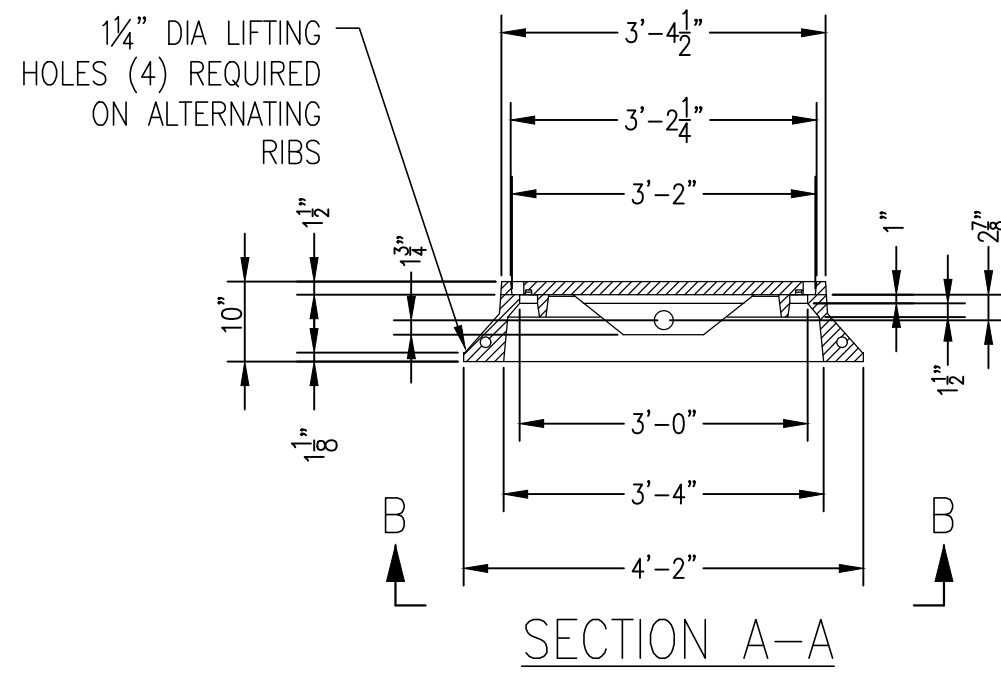
SHEET 23 OF 25
F10743003



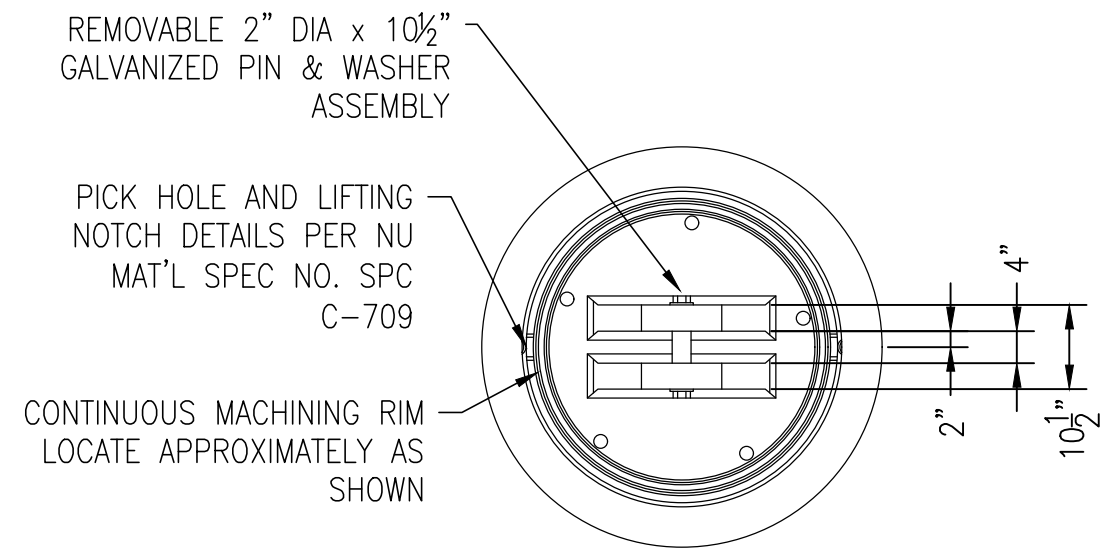


DETAIL 7
SH 25 OF 25

SPLICE VAULT GROUNDING DETAIL
DETAIL 1
SCALE 1" = 2'-0"
SH 24 OF 25

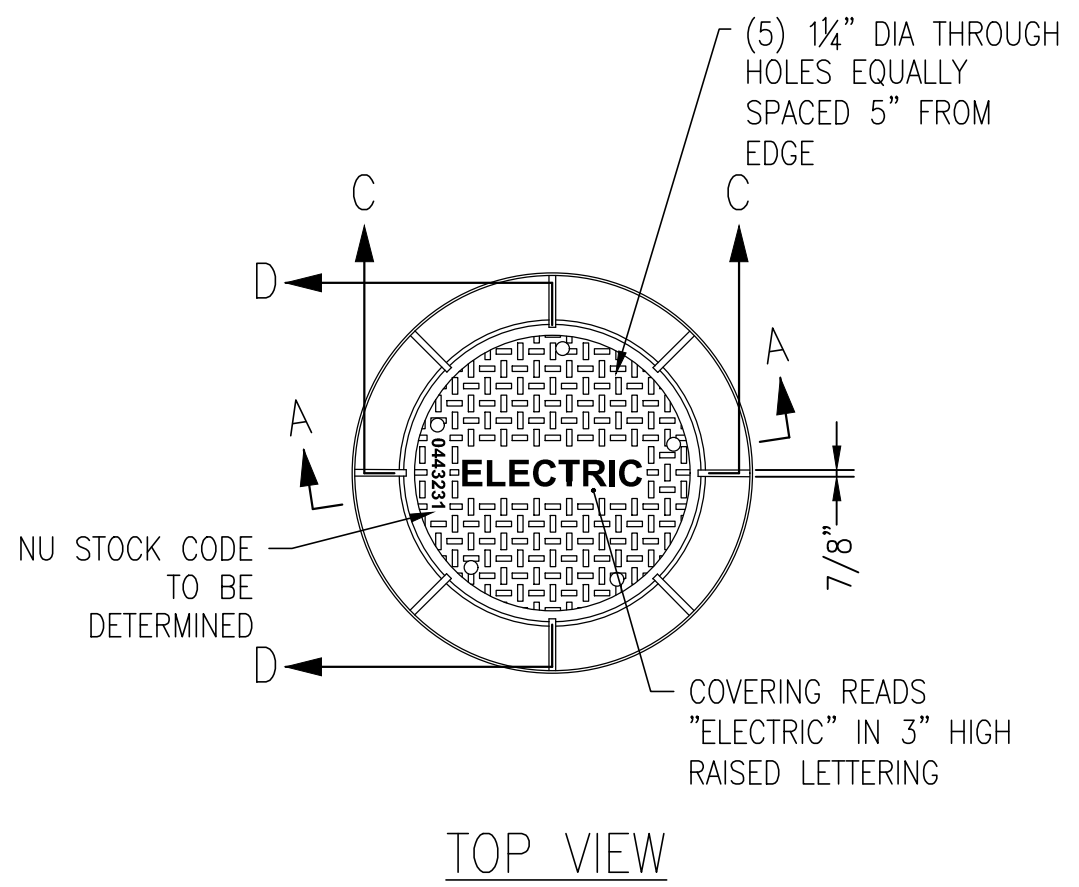


SECTION A-A

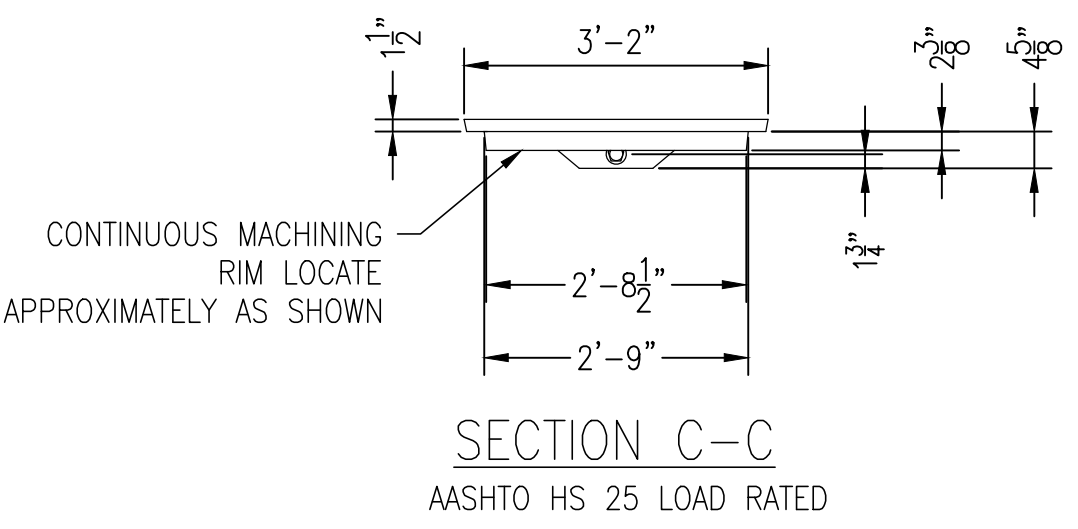


SECTION B-B
AASHTO HS 25 LOAD RATED

SPLICE VAULT FRAME DETAIL
DETAIL 2
SCALE N.T.S.
SH 24 OF 25



TOP VIEW



SECTION C-C
AASHTO HS 25 LOAD RATED

- NOTES:
1. ALL DIMENSIONS ARE INSIDE DIMENSIONS.
 2. PULLING HARDWARE SHALL BE GOOD FOR 60,000LBS OF TENSION, MINIMUM.
 3. SUMP SHALL BE CAPABLE OF HANDLING SUMP PUMP, MINIMUM 4" DEEP.
 4. CABLE & ACCESSORIES CONTRACTOR TO FIELD VERIFY ACTUAL SPLICE VAULT DEPTHS. CONTRACTOR IS RESPONSIBLE FOR ALL SAFETY & ENTRY/EXIT REQUIREMENTS.
 5. ALL CHIMNEY RINGS SHALL BE MORTARED OR OTHERWISE "KEYED" TO PREVENT HORIZONTAL DISPLACEMENT AND SHALL BE SECURELY MORTARED TO SPLICE VAULT ROOF.
 6. MANHOLE RING SHALL BE SECURELY FASTENED TO THE SPLICE VAULT ROOF OR CHIMNEY USING INSERTS AND BOLTS OR OTHER MEANS WITH PRIOR APPROVAL.
 7. REINFORCING STEEL SHALL BE BONDED TO 500kcmil SOFT DRAWN BARE COPPER BONDING JUMPERS.
 8. MULTISECTION SPLICE VAULTS SHALL INCORPORATE EITHER SHIPLAP OR TONGUE AND GROOVE JOINTS UTILIZING APPROPRIATE SILICONE, POLYMERIC OR ELASTOMERIC SEALANTS.
 9. ALL EXTERNAL SURFACES OF VAULT SHALL BE SEALED USING SONNEDORN HYDROCIDIC 700 OR OWNER APPROVED EQUIVALENT.
 10. NO STEEL REINFORCING BAR MAY ENCAPSULATE ANY INDIVIDUAL CONDUIT.
 11. INSTALL CIRCUIT IDENTIFICATION LABELS ON VAULT WALL AND INSTALL DANGER WARNING SIGN IN CHIMNEY.
 12. CONTRACTOR SHALL PROVIDE RACKING FOR 50' OF DYNAMIC TEMPERATURE SENSING CABLE TO BE COILED ON THE WALL OPPOSITE THE CABLE SPLICES.

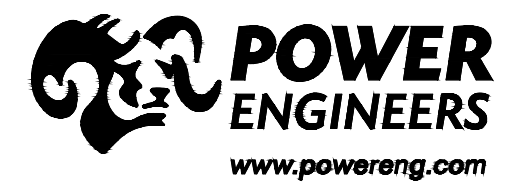
NO.	REVISION	DATE	BY	CHKD	APPR.
1	ISSUE FOR CONSTRUCTION	05-11-19	RED	TSG	TSG
2	REV. W/ 11/2015 PER-AM	02-23-19	RED	TSG	TSG
3	REV. W/ 11/2015 PER-AM	02-23-19	RED	TSG	TSG
4	ISSUE FOR RECORD	05-11-20	PCW	RED	TSG

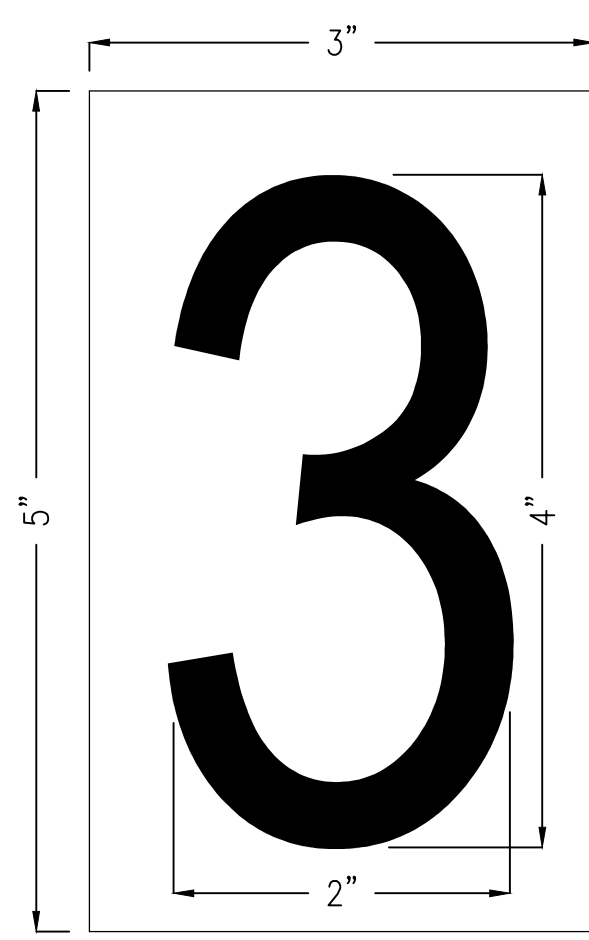
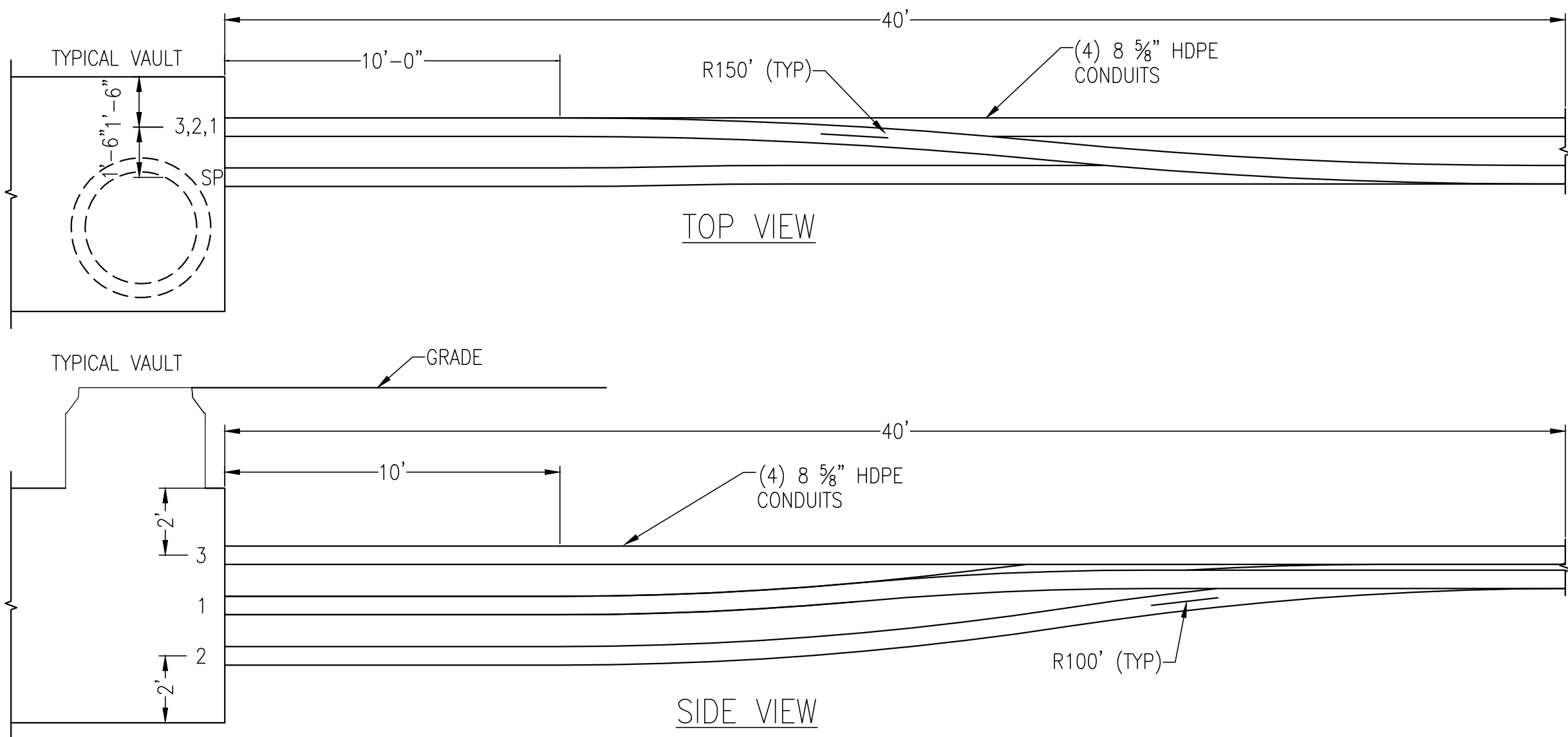
EVERSOURCE
ENERGY

T 4

CIRCUIT F107 115KV
UNDERGROUND TRANSMISSION LINE
SPLICE VAULT DETAIL SHEET
SCALE: N.T.S.
DATE: 3/7/2019

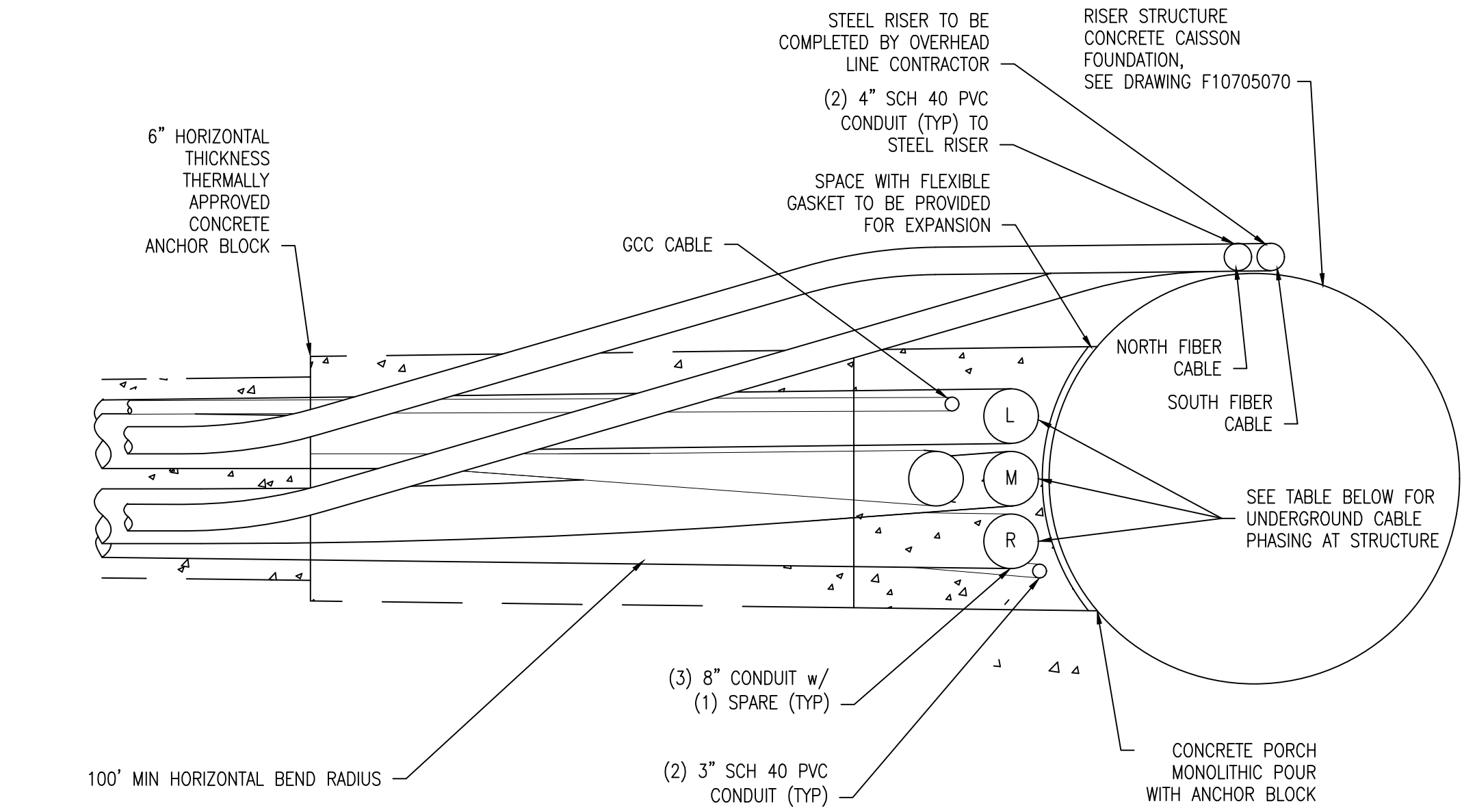
DES: RED
CHK: TSG
DRW: RED
APR: TSG
TOWN:
NEWINGTON
TRANSMISSION LINE:
LINE
MILE NO: 8 & 9
DISCIPLINE/SHT NO.
SHEET 24 OF 25
F10743003





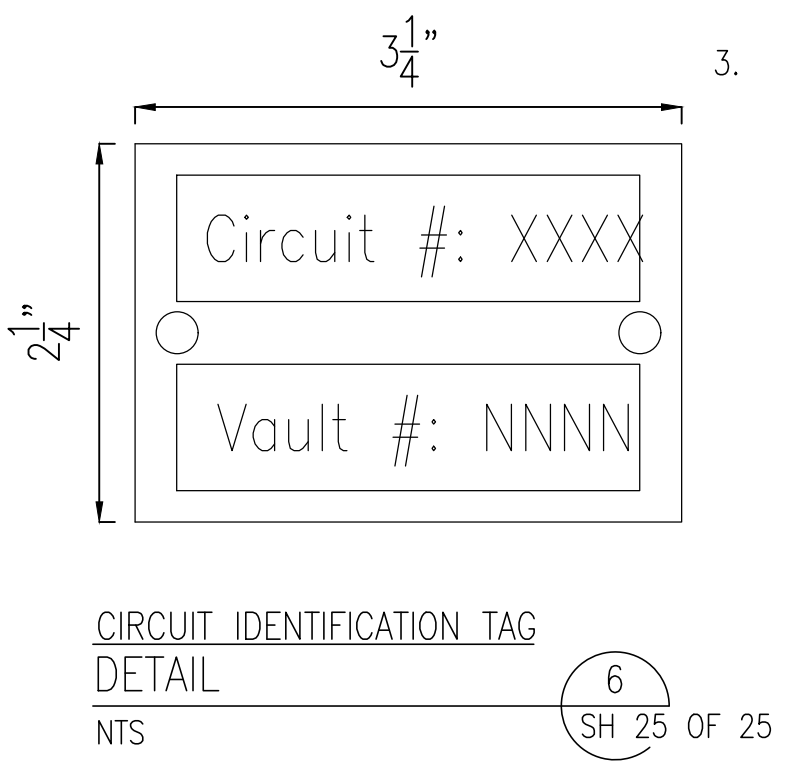
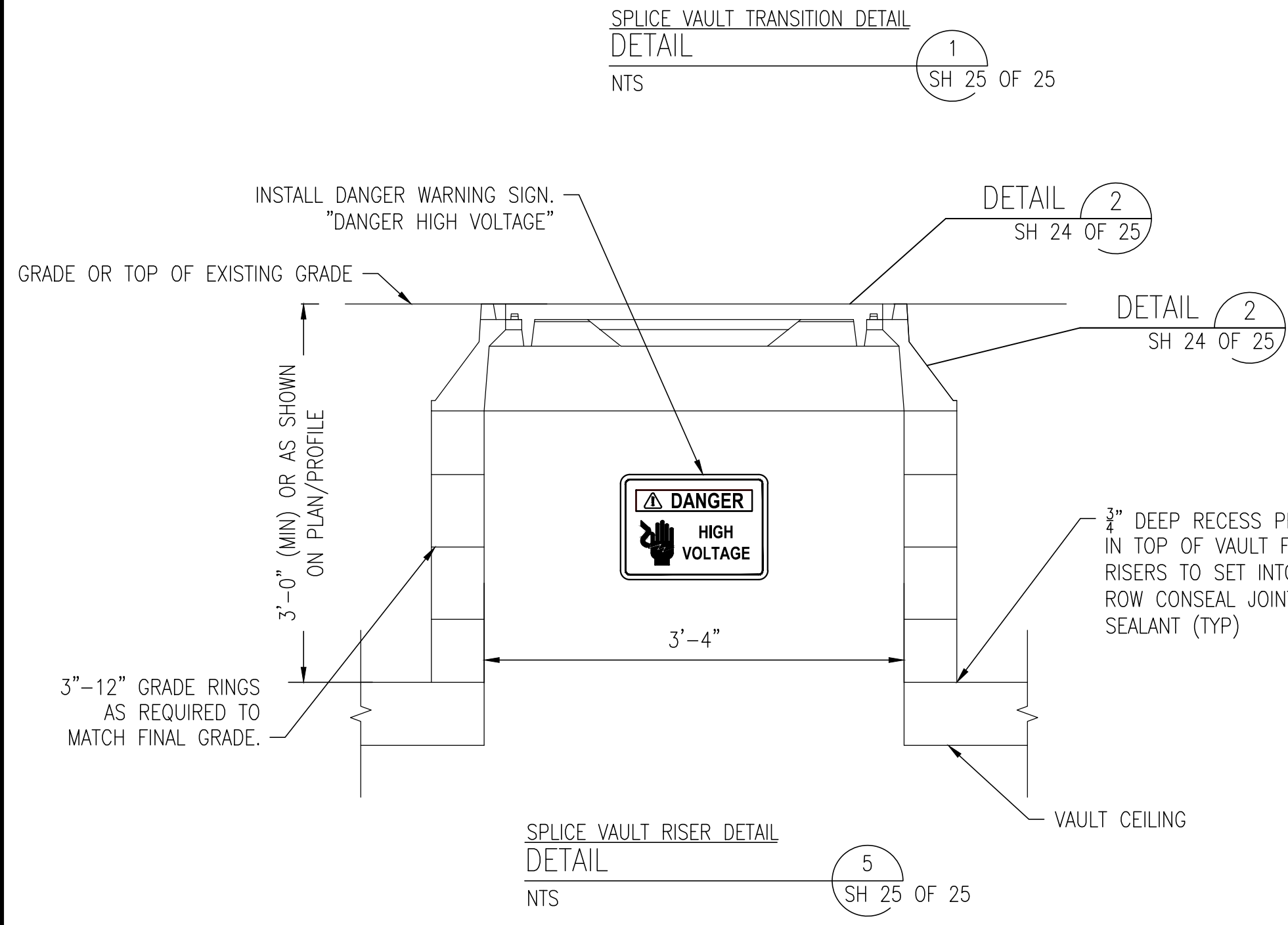
PHASE IDENTIFICATION TAG DETAIL
 NTS (Not To Scale)
 2 SH 25 OF 25

- NOTES:**
1. CHARACTER SHALL BE 4" HIGH BOLD TYPE.
 2. CHARACTER SHALL BE CENTERED ON SIGN.
 3. BACKGROUND: WHITE
 LETTERING: BLACK
 CHARACTERS: A, B & C AS SHOWN

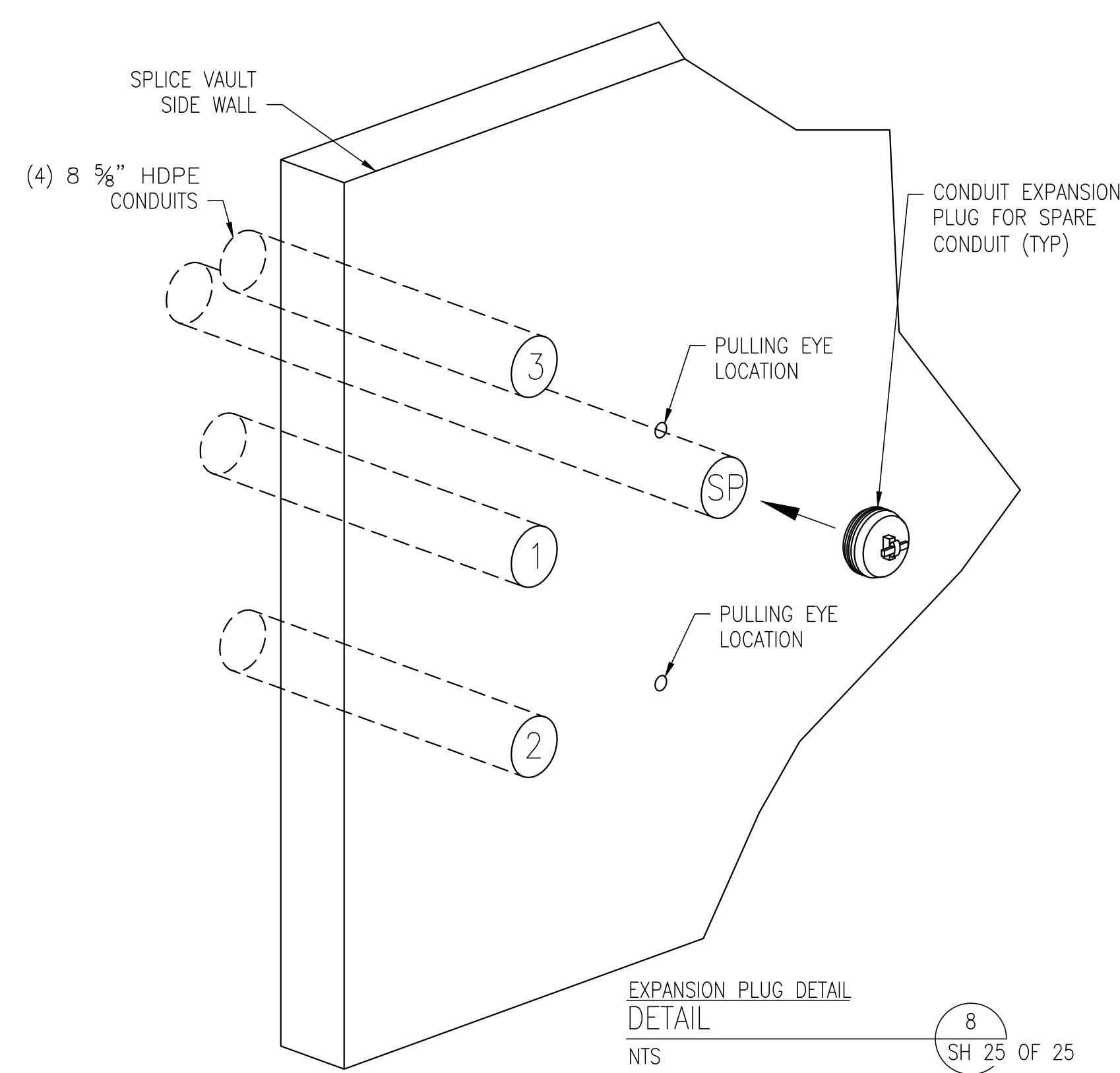


	STR 99	STR 100
L	2	3
M	1	1
R	3	2

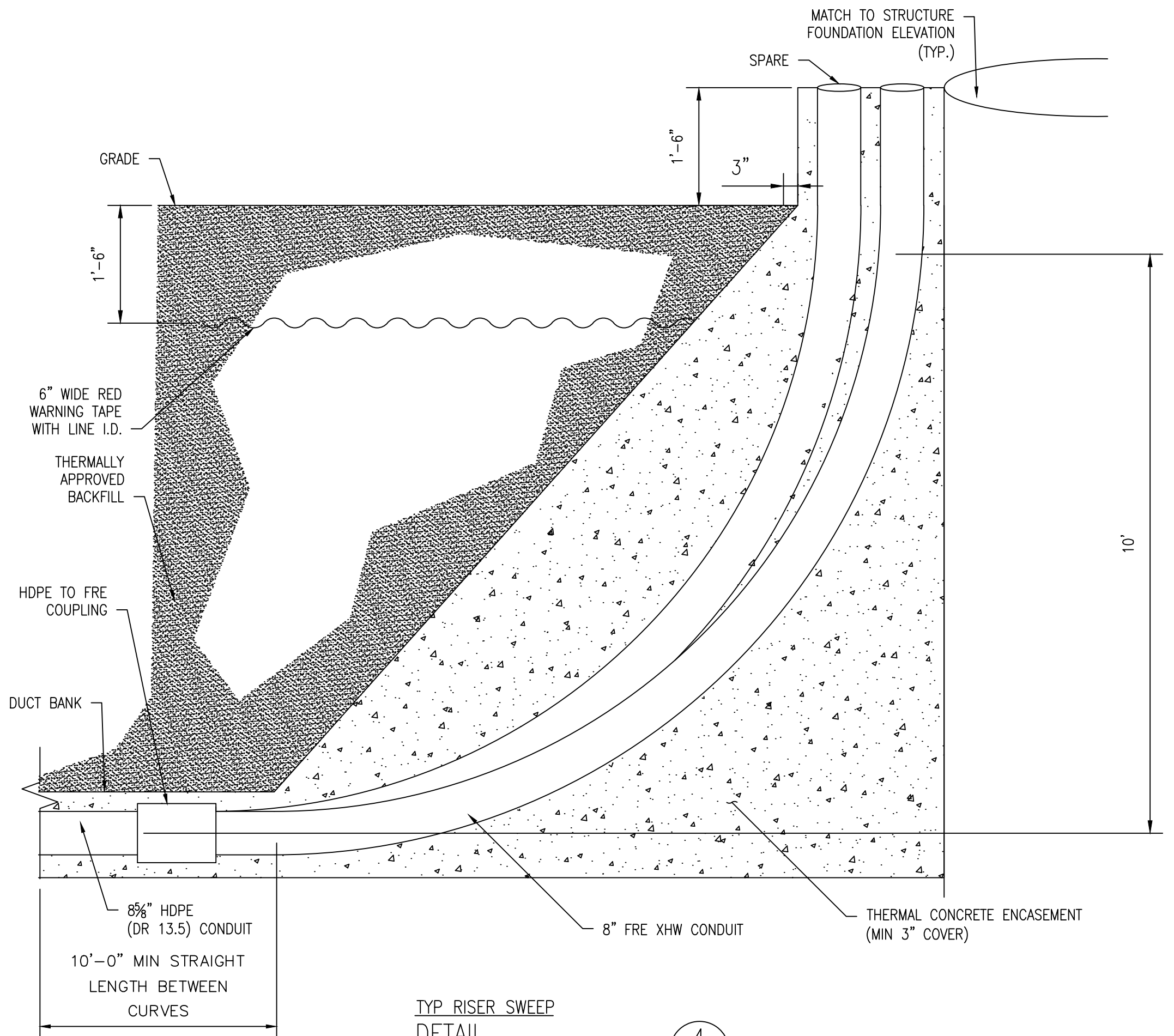
TYP RISER SWEEP PLAN VIEW DETAIL
 SCALE N.T.S.
 3 SHEET 25 OF 25



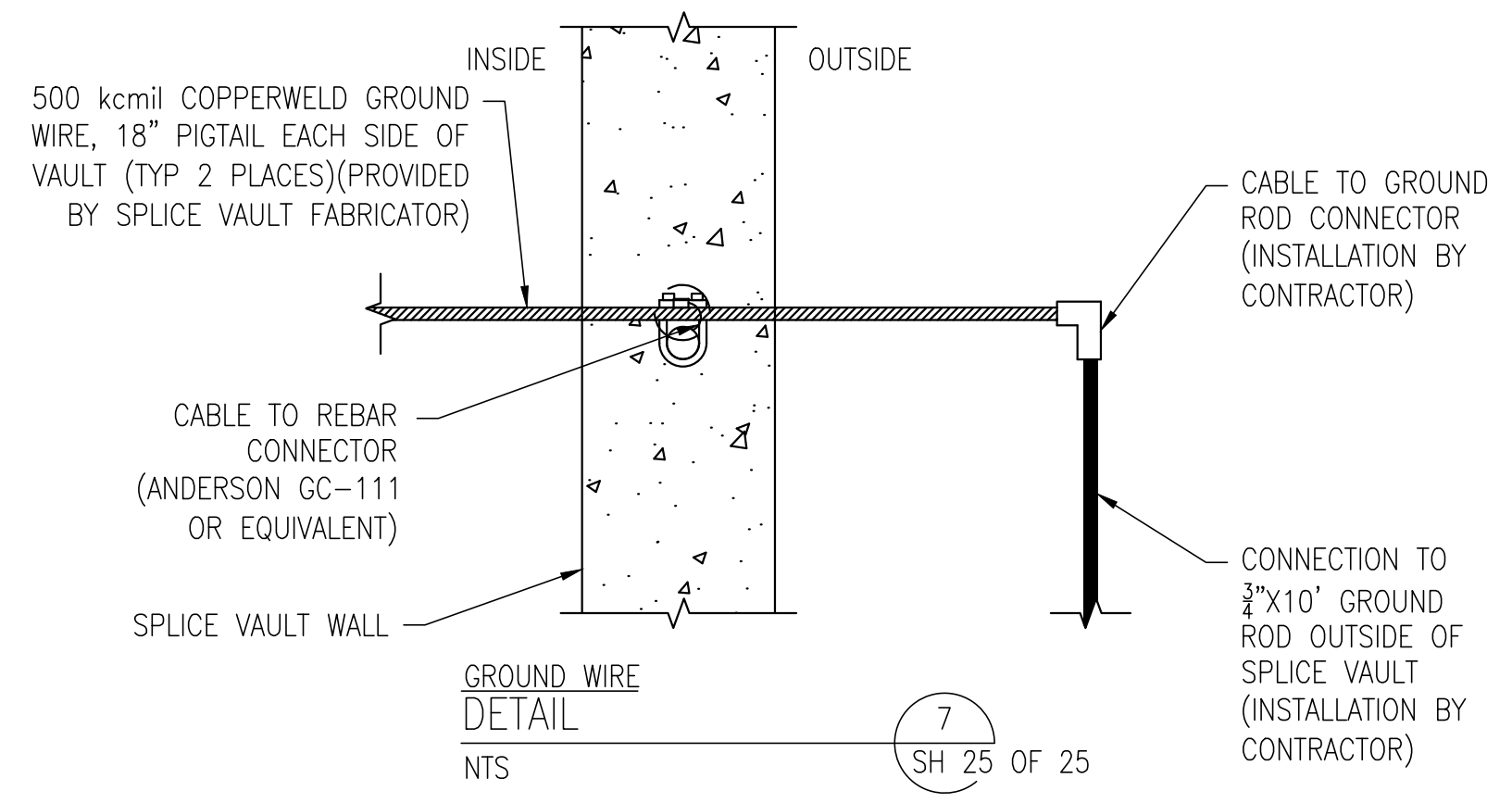
CIRCUIT IDENTIFICATION TAG DETAIL
 NTS
 6 SH 25 OF 25



EXPANSION PLUG DETAIL
 NTS
 8 SH 25 OF 25



TYP RISER SWEEP DETAIL
 SCALE N.T.S.
 4 SHEET 25 OF 25



GROUND WIRE DETAIL
 NTS
 7 SH 25 OF 25

NO.	REVISION	DATE	DRWN	CHKD	APPRV
1	ISSUE FOR CONSTRUCTION W/1 TYPICAL EPH-4466	3-1-19	TSS		
2	ISSUE FOR CONSTRUCTION W/1 TYPICAL EPH-4466	3-1-19	TSS		
3	ISSUE FOR RECORD W/1 TYPICAL EPH-4466	2-28-20	PCM		
4	ISSUE FOR RECORD W/1 TYPICAL EPH-4466 W/ RESTRICTION	6-11-20	PCM		

EVERSOURCE ENERGY

CIRCUIT F107 115KV
 UNDERGROUND TRANSMISSION LINE
 SPLICE VAULT DETAIL SHEET

DES: REO CHK: TSC
 DRW: REO APPR: TSC
 TOWN: DURHAM & NEWINGTON
 TRANSMISSION LINE:
 LINE
 MILE NO: 81 & 9
 DISCIPLINE/SHT NO:
 SHEET 25 OF 25
 F10743003

